

## 1575.42MHz GPS Active Antenna for Navigation System



### Model No.

DR1575-1601NF

### Application

- Global Positioning System
- GARMIN / Marine Positioning System
- GPS / GSM Car Tracking System

### Features

- RoHS Compliant
- Low V.S.W.R. / Low Loss Design / High Gain
- High Efficiency and Sensitivity
- Low Loss RF Coaxial Connector Cable Feed
- Water Proof Design

### Specification

#### Type 25x25 Ceramic Antenna

- Frequency : 1575.42 ±5 MHz
- Polarization : Right Hand Circular Polarization
- S.W.R. : ≤ 1.5    Gain : 4dBic @ 0 deg.

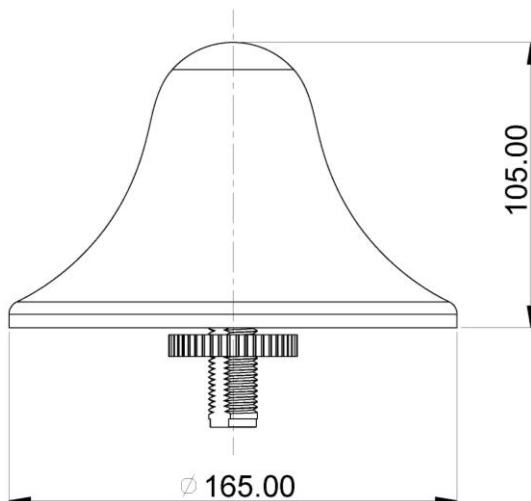
#### Amplifier / Filter

- Gain : 28 dB (typical)    Noise Figure : 1.5 dB
- Out Band Rejection : 7dB @ ± 20MHz;  
20dB @ ± 50MHz;  
30dB @ ±100MHz;
- DC Voltage : 3 ~ 5 V    DC Current : 5 ~ 10m A

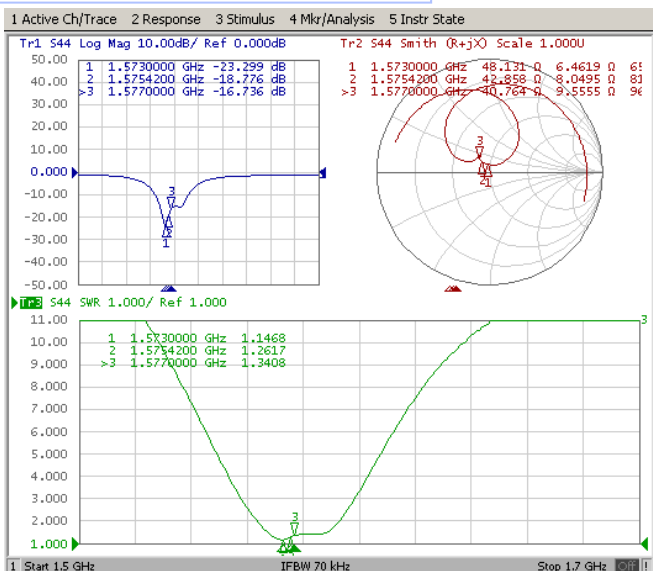
#### Mechanical / Environment

- Color : White
- Connector : SMA / TNC / N

### Dimension



### S.W.R



### Radiation Pattern

