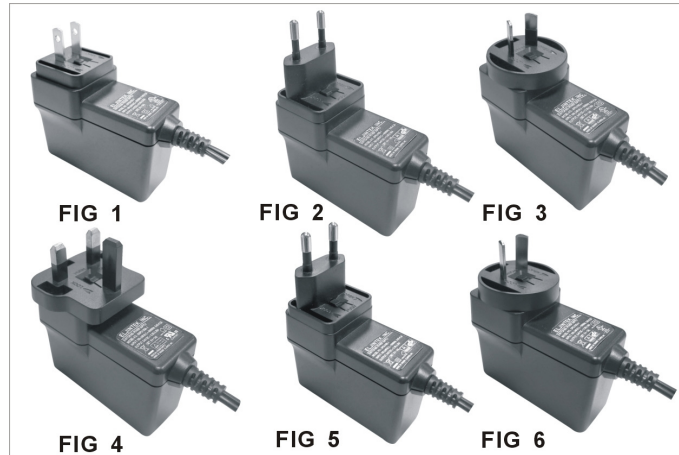


Plug-in power supply

Features:

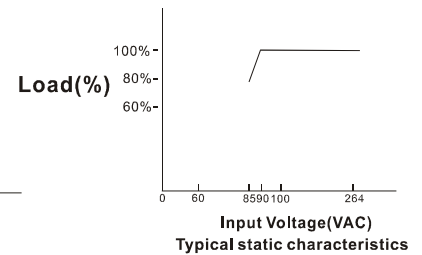
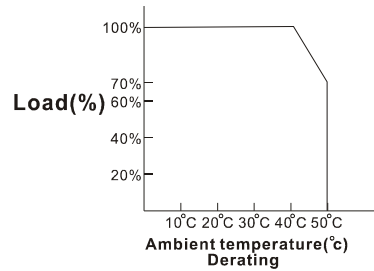
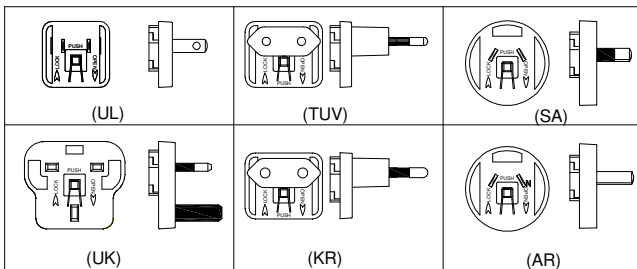
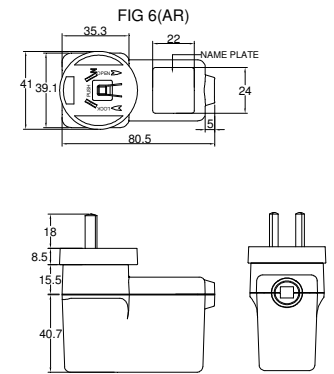
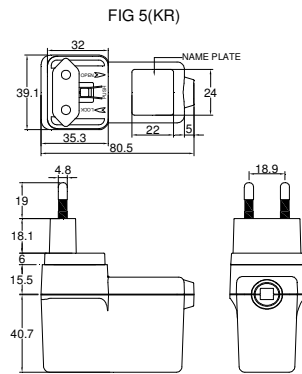
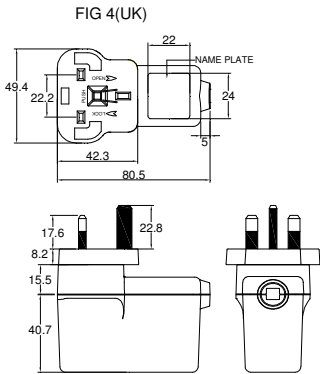
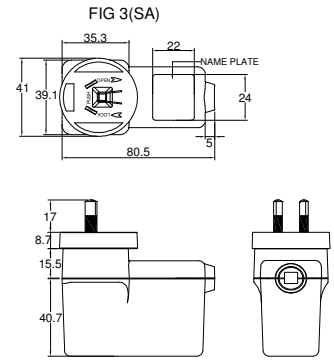
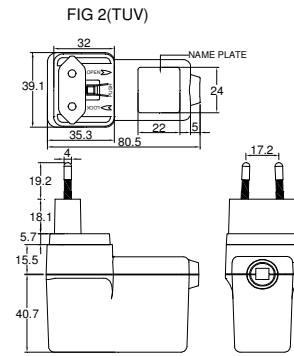
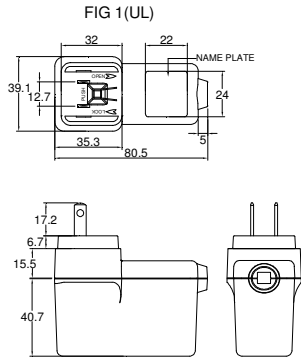
- Universal input voltage
- Meet ENERGY STAR V
- Single output
- Optional output connectors
- Short circuit protection
- Over voltage protection
- Over current protection
- One year limited warranty



SAFETY AGENCY APPROVALS:



Specifications:	GPSU40 series:
Input voltage	100~240VAC
Input frequency	50~60Hz
Input current	1A Max.
Leakage current	0.25mA MAX.
Output voltage	See rating chart
Output current	See rating chart
Output power range	See rating chart
Ripple	See rating chart
Over voltage protection	Yes. Protected by Zener diode. Rated output voltage 110~140%
Over current protection	Yes. Hiccup mode; Auto-recovery. Rated output current>110%
Short circuit protection	Yes. Hiccup mode; Auto-recovery.
Temperature coefficient	All output±0.04%/°C maximum
Transient response	Maximum excursion of 4% or better on all models. Recovering to 1% of final value within 500uS after a 25% step load change
Operating temperature	0°C ~+40°C . See derating curve
Storage temperature	-40°C ~+85°C
Relative humidity	5% to 95% non-condensing
Derating	Derated from 100% at + 40°C linearly to 70% at 50°C
Avg. Efficiency	See rating chart
Setup up / Hold up / Rise time	Typical:3000ms/ 8ms/50ms at full load
Line regulation	±1% maximum for any input voltage change between input voltage range
Load regulation	Typical ±5% variations from minimum to maximum output current.
Insulation resistance	50Mohm minimum from input to output
Inrush current	95AMPS@ 230VAC at 25°C cold start
Withstand voltage	4242VDC from input to output
Mean time between failure	100,000 hours minimum at full load at 25°C ambient
EMI requirements	(A)CE:EN55022 / EN55024 Class B (B)FCC Part 15
Safety requirements	(A)UL60950-1; CSA C22.2 (B) EN60950-1;IEC60950-1 (C) J60950
Warranty	1year



X=UI American type (FIG1) or EI European type (FIG2) or SAI 2pin Australian type (FIG3) or BSI UK type (FIG4) or KRI Korea type (FIG5) or ARI Argentina type (FIG6)

Model name	Output Voltage(VDC)	Output Current(A)	Max. Output Power (W)	Ripple(mV) Max.	Line Regulation (%)	Load Regulation (%)	Avg. EFF (%) 25,50,75,100% load	No load Power Consumption(W)	Measured at the output of
GPSU40X-1	5~6	5.00~4.16	25	200	1	6	80.3	<0.3	5
GPSU40X-1-1	6~8	5.00~3.75	30	200	1	6	83.5	<0.3	7.5
GPSU40X-2	8~11	5.00~3.64	40.04	120	1	5	85.3	<0.3	9
GPSU40X-3	11~13	3.64~3.08	40.04	130	1	5	87.6	<0.1	12
GPSU40X-4	13~16	3.08~2.50	40.04	250	1	5	87.6	<0.1	15
GPSU40X-5	16~21	2.50~1.90	40	250	1	5	87.6	<0.1	18
GPSU40X-6	21~27	1.90~1.49	40.23	300	1	5	87.6	<0.1	24
GPSU40X-7	27~33	1.49~1.22	40.26	300	1	5	87.6	<0.1	30
GPSU40X-8	33~58	1.22~0.70	40.6	400	1	5	87.6	<0.1	48

Note: (1) Weight: Approx 180~185g

(2) Optional output connectors (see page 87)

(3) ENERGY STAR V standard output cable: 5~13V: 18AWG SPT-1 4FT  
13~58V: 18AWG SPT-1 6FT

