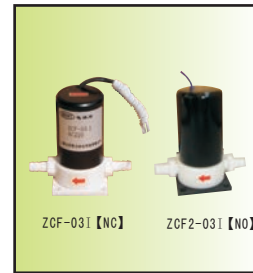


ZCF Series 2/2 (3/2)Way Direct Acting Dispenser Plastic(Corrosion-resistant) Solenoid Valve (NC)

▣ Features

1. Corrosion-resistance, Normally Closed(NC)
2. Valve body: Teflon (PTFE, code: P)
3. Diaphragm material: VITON (code: V)
4. Medium and Metal components are separated completely
5. Ambient temp.: -15~75°C
6. Max kinematic viscosity Value: $\leq 50 \text{CST} (\text{m}^2/\text{s})$
7. Max. action frequency: 3 times/s
8. Direct acting diaphragm structure, zero pressure differential operated
9. Coil allowable temp-rise: $\leq 90^\circ\text{C}$
10. Mounted at any angle, little contaminant is permitted in the medium
11. Leakage: 0 ml/min
12. Voltage: AC220/AC130/AC240, 50/60, DC24, tolerance: $-15\% \sim \pm 10\%$, customization accepted



ZCF-03 I 02



ZCF31-03 I 12



ZCF-04 I 02



ZCF-08 I 24-Y

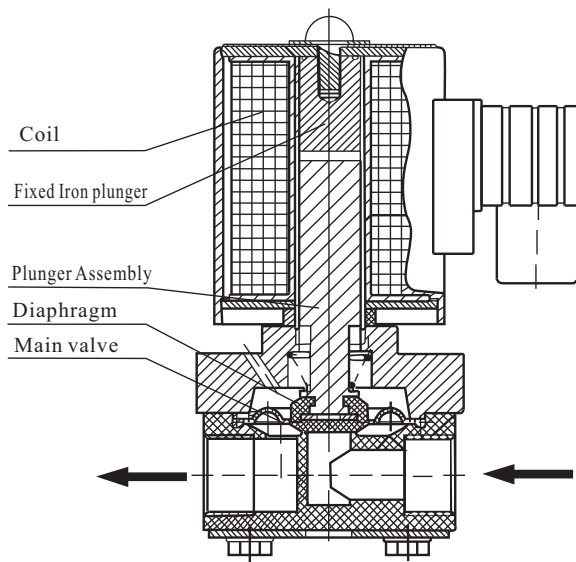


ZCF-15 I 02

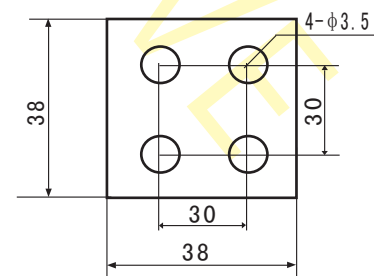


ZCF-25 I 24

▣ Structure Diagram



▣ Bottom Mounting Hole Diagram

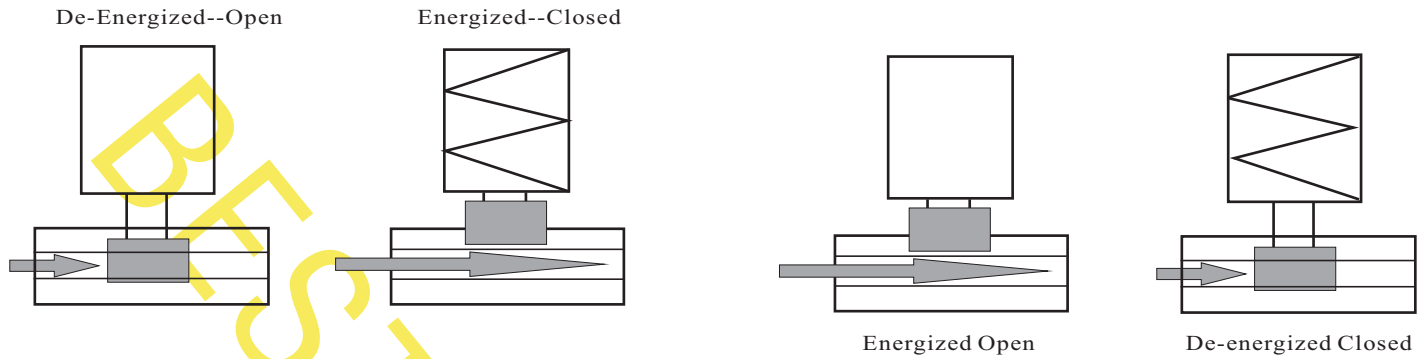


ZCF-02~04 Bottom Mounting Hole

ZCF Series 2/2 (3/2)Way Direct Acting Dispenser Plastic(Corrosion-resistant) Solenoid Valve (NC)

▣ Action Diagram--Normally Closed

▣ Action Diagram--Directional(ZCF31)



▣ Parameter&Dimention

Model Code	Pipe Connection	Orifice mm	Kv Value m ³ /h	Operating Pressure Differential (kgf/cm ²)						Applicable Medium Temp. °C	Coil Grade	Coil Configuration	Power		Dimension L×W×H	WT (kg)
				Min.	Max.			AC 220	DC 24							
					Strong Acid		Strong Alkali						Ultrapure media			
					AC	DC	AC						DC	AC	DC	
ZCF-02	M8X1 with hose adaptor or G1/8"	2	0.2	0	3.5	3.5	3.5	3.5	3.5	I: -9~80	Protection Grade IP54	J	8	5	38×38×62	0.2
ZCF-03		3	0.4	0	3.5	3.5	3.5	3.5	3.5				8	5	38×38×62	0.2
ZCF-04		4	0.5	0	5.0	5.0	5.0	5.0	5.0				12	8	38×38×75	0.25
ZCF-05	G1/4"	5	1.1	0	1.5	1.5	1.5	1.5	1.5	II: -9~120	Protection Grade IP65	Y	35	33	55×55×85	0.8
ZCF-06		6	1.2	0	1.5	1.5	1.5	1.5	1.5				35	33	55×55×85	0.8
ZCF-08	G1/4"	8	1.5	0	1.5	1.5	1.5	1.5	1.5				35	33	55×55×85	0.8
ZCF-10	G3/8"	10	2.3	0	2.5	2.5	2.5	2.5	2.5	Protection Grade IP54	W	73	48	65×65×125	1.7	
ZCF-12	G1/2"	12	2.9	0	2.0	2.0	2.0	2.0	2.0			73	48	65×65×125	1.7	
ZCF-15	G1/2"	15	3.4	0	2.0	2.0	2.0	2.0	2.0			73	48	65×65×125	1.7	
ZCF-20	G3/4"	20	7.0	0	1.0	1.0	1.0	1.0	1.0			77	50	85×85×145	2.7	
ZCF-25	G1"	25	9.3	0	1.0	1.0	1.0	1.0	1.0			77	50	85×85×150	2.7	
ZCF31-02	M8X1 with hose adaptor or G1/8"	2	0.2	0	2.5	2.5	2.5	2.5	2.5	I: -9~80		J	8	5	38×38×62	0.2
ZCF31-03		3	0.4	0	2.5	2.5	2.5	2.5	2.5				8	5	38×38×62	0.2
ZCF31-04		4	0.5	0	2.5	2.5	2.5	2.5	2.5				8	5	38×38×75	0.25

Note: When G1/8" thread is required(customized) for ZCF-02~04, hose connectors are not offered

▣ Special Configurations

BZCF: Ex version coil (Limited for DN6~DN25), Applicable pressure same as normal type	ZCF-D: with LED Indicator (Limited for DN6~DN25)
ZCF31-02~04: 3 port/2 position	
ZCF2: Normally Open, applicable pressure 0~4bar, dimension same as ZCF-03	ZCF-◇: Signal feedback output