

1.00mm (.039") Crimp Style Connectors<SMT>

Specifications

- Voltage Rating : 100V AC/DC
- Current Rating : 1A AC/DC
- Withstanding Voltage : 300V AC/minute
- Insulation Resistance : 500M Ω min.
- Temperature Range : -25°C to + 85°C
- Contact Resistance : 30m Ω max.

Features:

■ HOUSING

Part No. : JS-1011-20

Poles : 20

Material : Base : PA46 UL94V-0

Nail : Phos. Bronze, Tin plated

Q,ty : 500 pcs./Box

■ TERMINAL

Part No. : JS-1011-T / TG

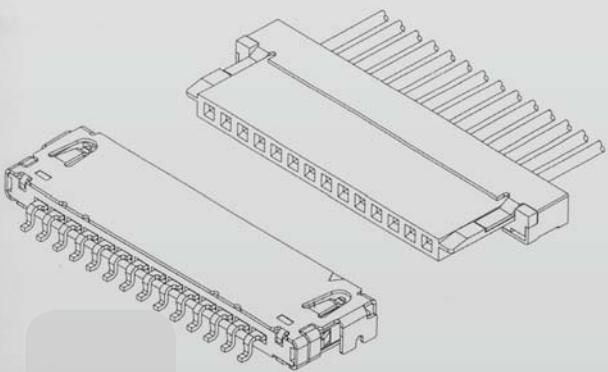
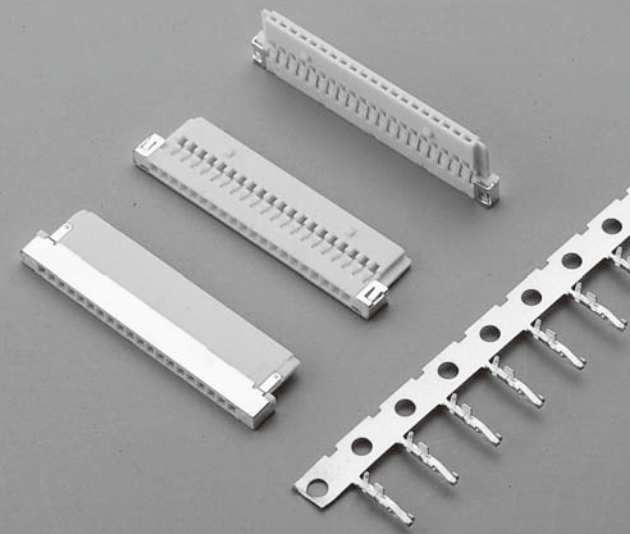
Applicable Wires : AWG# 28-32

Material : Phosr. Bronze

Finish : Tin / Gold Plated

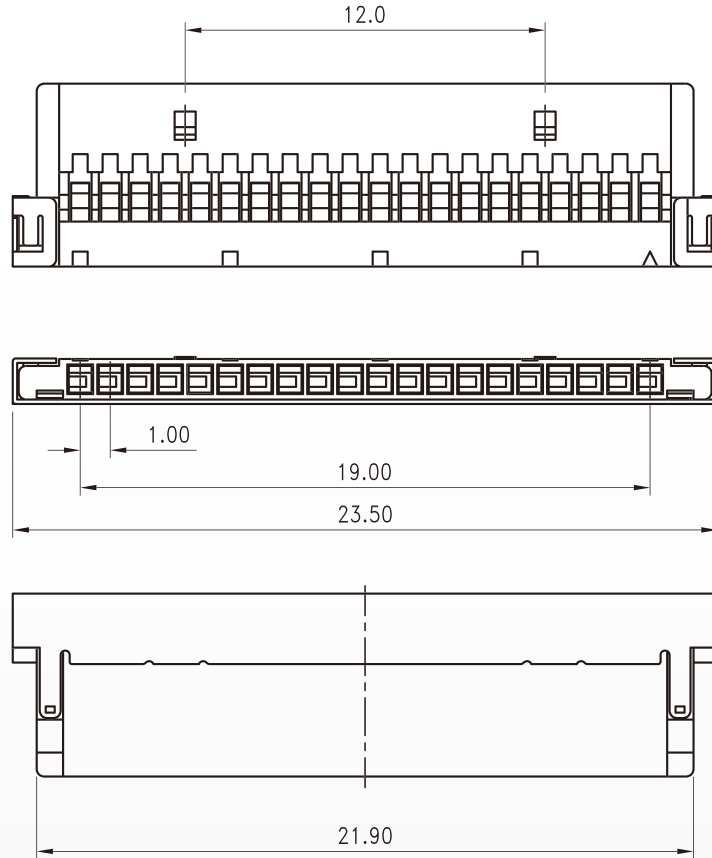
Thickness : 0.15mm

Q'ty : 15,000 pcs/Reel



1.00mm (.039") Crimp Style Connectors<SMT>

Housing JS-1011-20



Terminal JS-1011-T / TG

