



## KEY FEATURES



- ✓ Smart and all-in-one design, easy to install.
- ✓ Beautiful unique curved design, simplify and cool appearance.
- ✓ Compact structure design, IP65 waterproof, dust proof and durable.
- ✓ High efficiency monocrystalline solar panel with lifespan of 20+ years.
- ✓ 2835 high brightness SMD LED, low light decay with lifespan of 60,000+ hours.
- ✓ Long lifespan lithium battery with 2,000+ circles lifespan.
- ✓ In-built PIR sensor with automatically dimming functions.

## APPLICATION

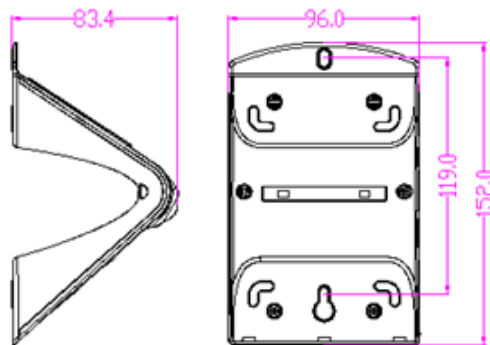
Villa, Garden, Wall, Fence, Balcony, Gallery, Gateway, Swimming Pool .....



### TECHNICAL SPECIFICATIONS

<b>Solar Panel</b>	Rated Output	4 V/1W (SunPower Cell Monocrystalline PV)
	Life-span	25 years
<b>Batteries</b>	Type	Polymerized Lithium Battery (3.7V/2000 mAh)
	Life-span	5 years
<b>Controller</b>	Type	MPPT / Waterproof class: IP68
	Sensor	PIR Sensor
<b>LED Light Source</b>	Rated Power	3V 1.5W
	LED Brand	EPISTAR 2835 SMD
	Lumens(LM)	150-180lm
	Life-span	60000 hours
<b>Full Charge Time</b>	By Solar	7 hours (with enough solar power)
	Full Power	> 5 hours
<b>Discharge Time</b>	Energy Saving	> 25 hours
	Working Temp.	-20°C~+60°C
<b>Color Temp.</b>	Cool White (6000~6500k) / (Warm White 3000K, 4000K available)	
<b>Materials</b>	PBT Plastic	
<b>Certificate</b>	CE / ROHS / IP65	
<b>Warranty</b>	1 year	

### DIMENSIONS & PACKAGE



## INSTALLATION INSTRUCTIONS



- ① Hole
- ② Expansion Plug
- ③ Screw
- ④ Mounting Hole
- ⑤ Unlock Pin



### Installation & Instruction:

1. Drill 2 holes of  $\Phi 6\text{mm}$  at the requested place, keep 118mm distance between the 2 holes, 2~4m height from ground.
2. Fix two expansion plugs into the hole.
3. Fix a screw to the lower expansion plug with a little spare space, insert the stripe groove into the screw groove and fixed.
4. Straighten the whole lamp and fasten the upper screw strictly.
5. Switch on/off the whole system by the provided unlock pin.



Charges by Solar at daytime



Automatically on at dusk



Dim to bright mode when movement detected



Dim to energy saving mode when no movement detected

## INSTRUCTIONS & TIPS

THE FOLLOWING ARE TIPS AND DIRECTIONS FOR THE INSTALLATIONS OF SMART LED SOLAR WALL LIGHTS (ALL IN ONE). PLEASE READ CAREFULLY.

- ✓ To ensure the proper installation and use of lights, please read the installation above mentioned instructions carefully.
- ✓ **Please make sure turn on the light by pressing the switch hole with the unlock pin before installation.**
- ✓ The recommended installing height is 2~3 meters to keep the PIR sensor effective.
- ✓ Installing site should be with enough solar insolation, the higher the better.
- ✓ Please take into account shading from houses, trees etc.
- ✓ Solar LED street Lights have built in control technology and are designed to automatically activate at dusk and turn off at dawn. The Lights ramp down 20% standby power output when the PIR sensor does not detect motion.
- ✓ Maintenance requirements: wipe clean the solar panel periodically for maximum performance.
- ✓ The Lithium battery used in LED solar street light can be stored for 3 months after a full charge. If stored for prolonged periods of time please charge periodically to prevent damage to the battery.