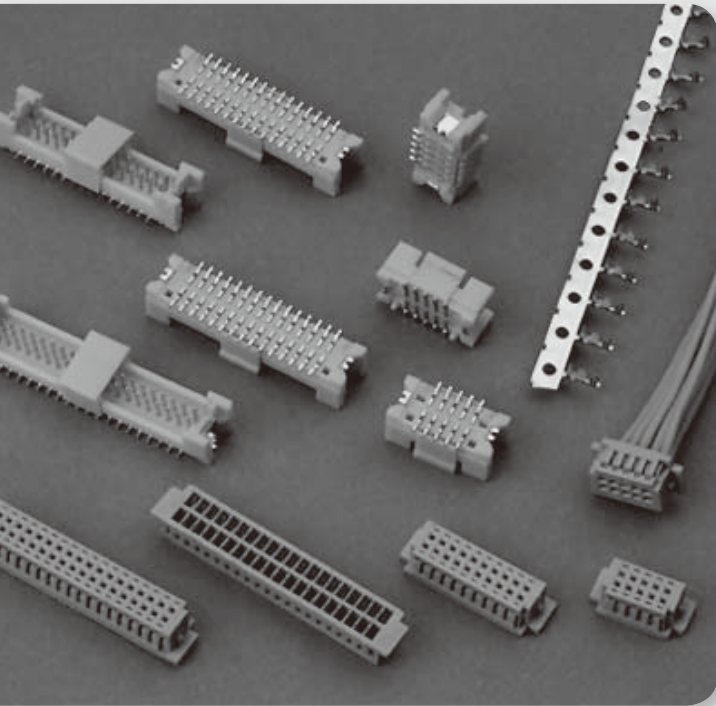


1.25mm (.049") Crimp Style Connectors<SMT><Double-Row>



Specifications

- Voltage Rating : 150V AC/DC
- Current Rating : 1A AC/DC
- Withstanding Voltage : 500V AC/minute
- Insulation Resistance : 500M Ω min.
- Temperature Range : -35°C to + 85°C
- Contact Resistance : 30m Ω max.

Features:

■ HOUSING

Part No. : JS-1255

Poles : 10, 20, 30, 40, 50

Material : Nylon 66 UL94V-0

Q'ty : 1,000 pcs/Bag

■ WAFER

Part No. : JS-1256

Poles : 10, 20, 30, 40, 50

Material : Contact : Phos. Bronze

Finish : Tin Plated, Gold Plated,

Base : Nylon PA9T UL94V-0

Q'ty : 900 pcs/Tape & Reel

■ TERMINAL

Part No. : JS-1255-T, JS-1255-T(G)

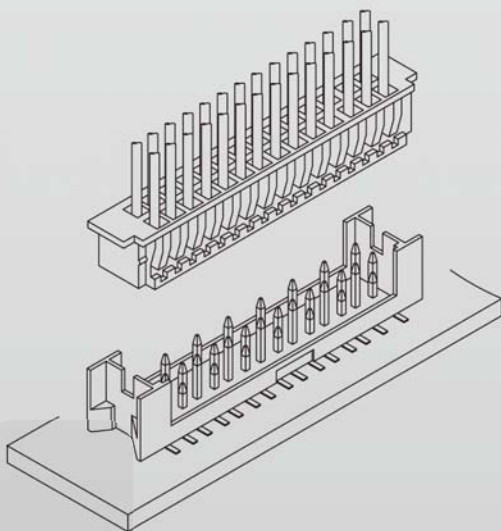
Applicable Wires : AWG# 28-32

Material : Phos. Bronze

Finish : Tin Plated, Gold Plated

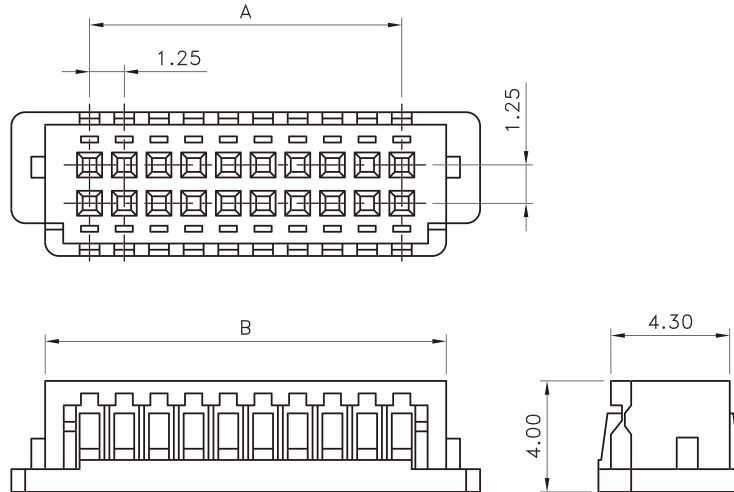
Thickness : 0.15mm

Q'ty : 15,000 pcs/Reel



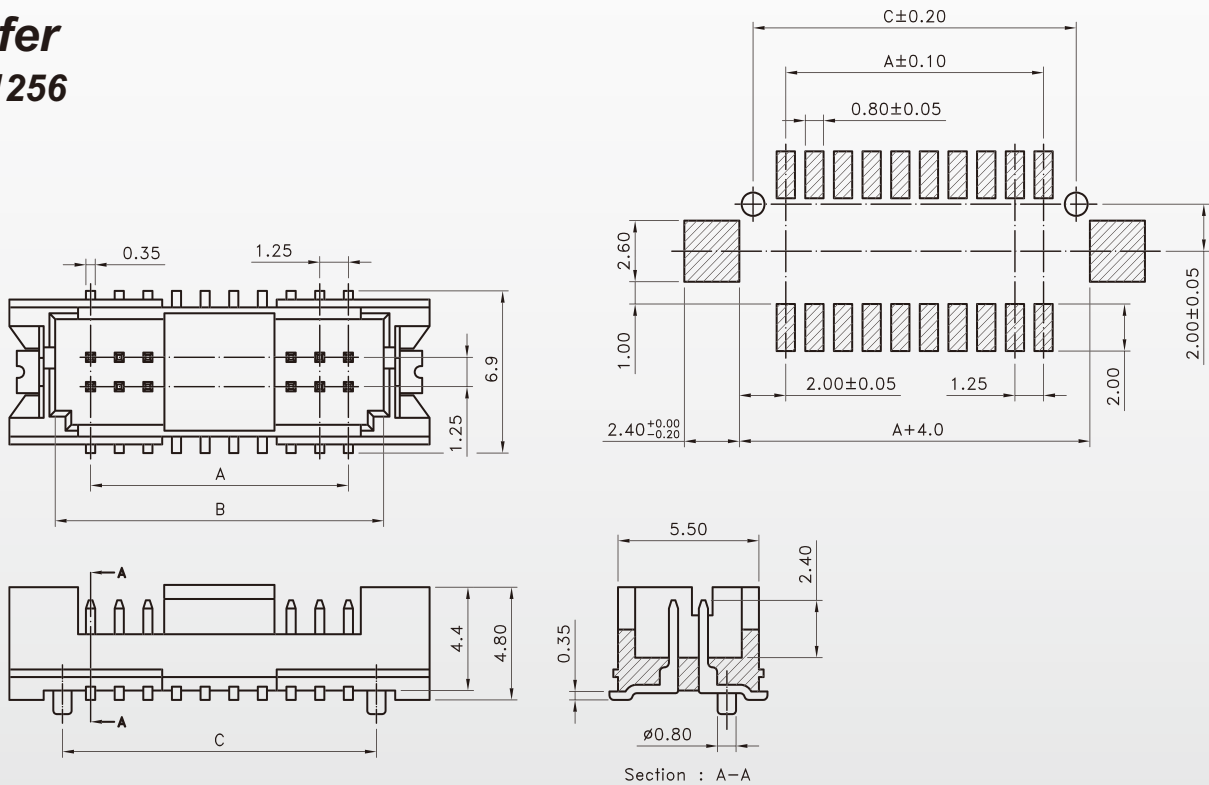
1.25mm (.049") Crimp Style Connectors<SMT><Double-Row>

Housing JS-1255



Poles	Part No.	Dimensions (mm)	
		A	B
10	JS-1255-5x2	5.00	8.00
20	JS-1255-10x2	11.25	14.25
30	JS-1255-15x2	17.50	20.50
40	JS-1255-20x2	23.75	26.75
50	JS-1255-25x2	30.00	33.00

Wafer JS-1256



Poles	Part No.	Dimensions (mm)		
		A	B	C
10	JS-1256-5x2	5.00	8.09	7.50
20	JS-1256-10x2	11.25	14.34	13.75
30	JS-1256-15x2	17.50	20.59	20.00
40	JS-1256-20x2	23.75	26.84	26.25
50	JS-1256-25x2	30.00	33.09	32.50

1.25mm (.049") Crimp Style Connectors<SMT><Double-Row>

Terminal JS-1255-T

A

