

Ruiapple

DC BRUSHLESS FA SPECIFICATION

RA-DC2510(25x25x10mm)

DESIGN FEATURES

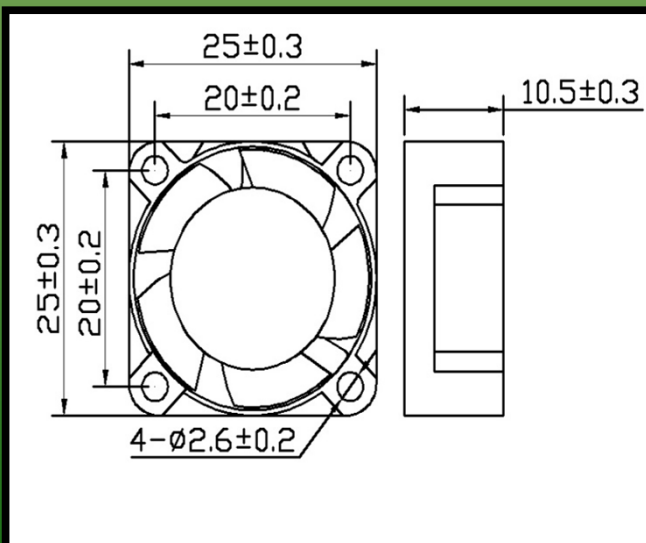
- ※BEARING SYSTEM:SLEEVE BEARING & BALL BEARING
- ※IMPELLER:PLASTIC WITH FIBER GLASS FILED UL 94V-0
- ※HOUSING:PLASTIC WITH FIBER GLASS FILED UL 94V-0
- ※MOTOR:BRUSHLESS DC
- ※CONNECTING:WIRE LEADS
- RED WIRE POSITIVE(+)
- BLACK WIRE NEGATIVE(-)
- ※SPEED:H HIGH SPEED TYPE
- M MEDIUM SPEED TYPE
- L LOW SPEED TYPE



DATA SHEET

MODEL NO	VOLTAGE (V)	CURRENT (A)	POWER (W)	SPEED (RPM)	AIR (CFM)	STATIC PRESSURE (mm-H2O)	NOISE dB(A)
DC2510 L	05	0.08	0.40	7000	1.4	2.5	19
	12	0.06	0.72	7000	1.4	2.5	19
DC2510 M	05	0.13	0.65	9000	2.0	4.2	22
	12	0.08	0.96	9000	2.0	4.2	22
DC2510 H	05	0.16	0.8	11000	2.6	5.4	26
	12	0.10	1.2	11000	2.6	5.4	26

DIMENSIONS DRAWING (mm)



P & Q CURVE (AT RATED VOLTAGE)

