

LUGGED TYPE BUTTERFLY VALVE



Technical Data:

Temperature Range

EPDM -20°C...+120°C

BUNA -10°C...+ 90°C

FPM/FKM -10°C...+170°C

Max. Working Pressure

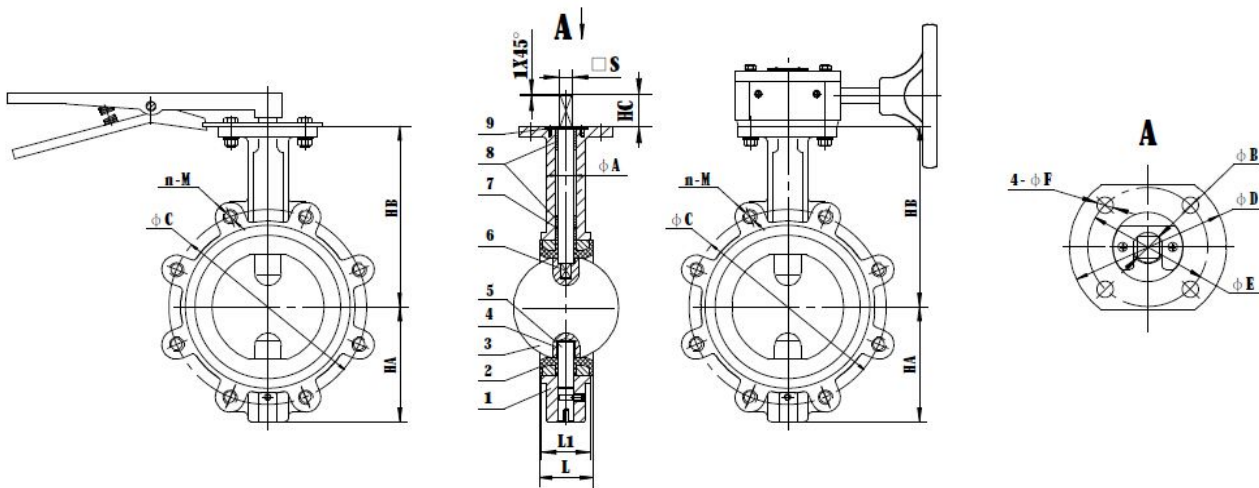
Max. working pressure 16,0 bar

Hydraulic body test 24,0 bar

Hydraulic seat test 17,8 bar

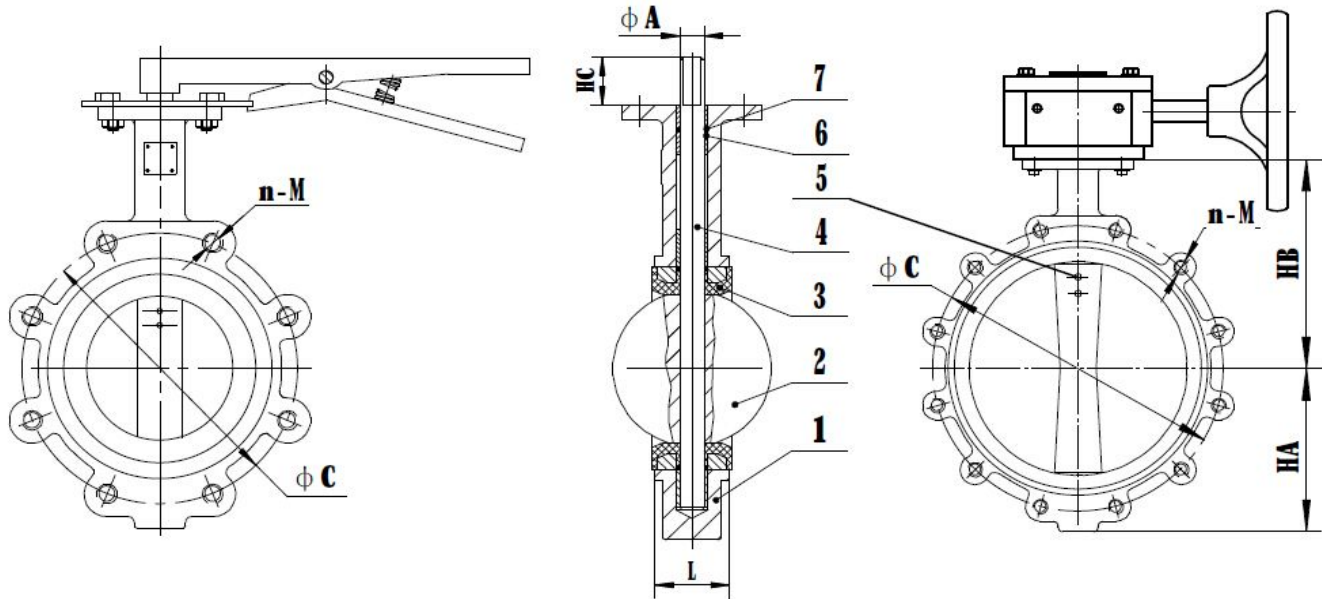
AISI 316 stem execution 10,0 bar

Description	Material
BODY	GG25,GGG40,GGG50,WCB,CF8
DISC	GGG40,CF8,CF8M,CF3M,AL-B
SEAT	EPDM,NBR,VITON,PTFE
STEM	SS416/420,CF8,CF8M
O-RING	EPDM/NBR
BUSHING	PTFE
CIRCLIP	STEEL
RETAINER	STEEL



Size	HA	HB	HC	L	L1	ΦA	ΦB	S	ΦC	n-M	ΦD	ΦE	ΦF
1 1/2"	59	125	30	35	32	12.7	12	9	98.5	4-1/2"-13	65	50	7.5
2"	66	130		45	42				120.5				
2 1/2"	82	141		48	45				139.5				
3"	90	148		49	45	152.5	8-5/8"-11						
4"	108	170		55	51	190.5							
5"	123	187		58	55	216	8-3/4"-10						
6"	138	202	59	55	241.5								
8"	170	238	36	64	59	22.2		22	17	298.5	12-7/8"-9	125	102
10"	200	272		70	66	28.6	28	22	362				
12"	236	305		80	76	31.7	28	22	432				

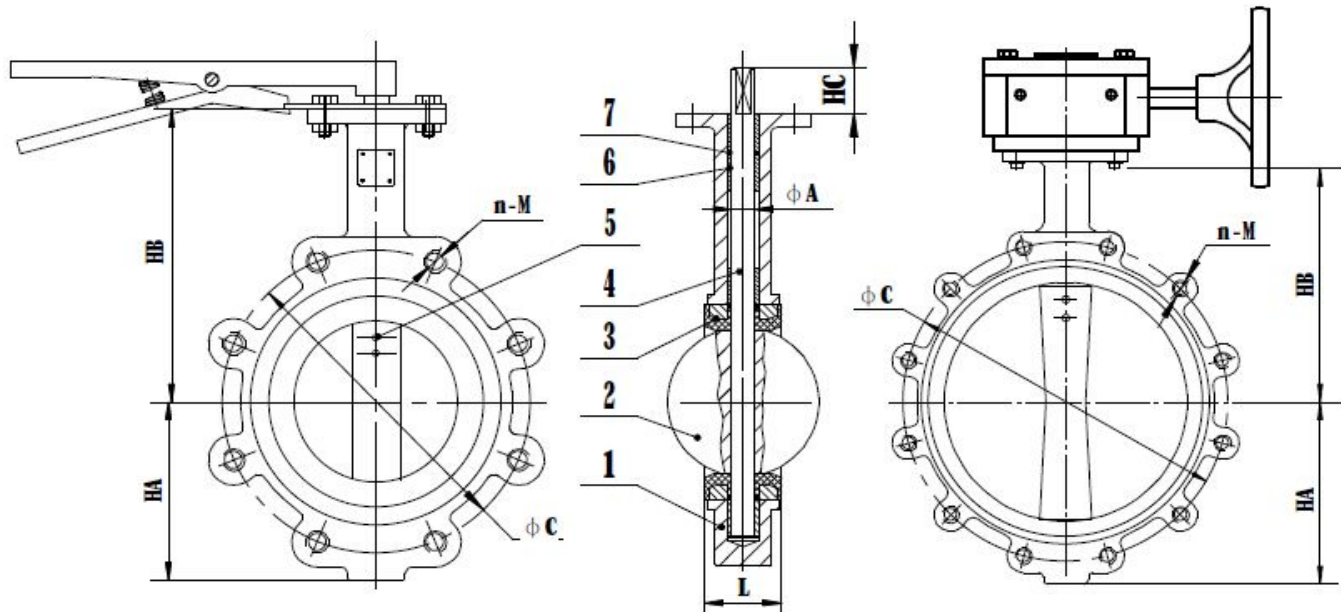
LUGGED TYPE, BUTTERFLY VALVE



ANSI 150LB

Size		HA	HB	HC	L	ΦA	ΦC	n-M
DN	Inch							
DN50	2"	66	130	30	45	12.7	120.5	4-5/8"-11
DN60	2.5"	76	140	30	48	12.7	139.5	
DN80	3"	95	150	30	49	12.7	152.5	
DN100	4"	108	170	30	55	15.8	190.5	8-5/8"-11
DN125	5"	122	185	30	58	19.05	216	8-3/4"-10
DN150	6"	135	205	30	59	19.05	241.5	
DN200	8"	168	235	36	64	22.2	298.5	
DN250	10"	203	270	36	70	28.6	362	12-7/8"-9
DN300	12"	237	305	36	80	31.8	432	
DN350	14"	262	330	36	80	31.8	476	12-1"-8
DN400	16"	299	360	51	90	33.3	539.5	16-1"-8
DN450	18"	325	395	51	109	38	578	16-11/8"-7
DN500	20"	360	440	64	135	41.15	635	20-11/8"-7
DN600	24"	420	500	71	156	50.65	749.5	20-11/4"-7
DN700	28"	520	624	71	169	63.35	863.6	28-11/4"-7
DN750	30"	621	648	71	175	63.35	914.5	28-11/4"-7
DN800	32"	590	672	71	195	63.35	977.9	28-11/2"-6
DN900	36"	611	768	71	211	75	1085.8	32-11/2"-6

LUGGED TYPE, BUTTERFLY VALVE



PN16

Size		HA	HB	HC	L	ΦA	ΦC	n-M
DN	Inch							
DN50	2"	76	162	30	45	12.7	125	4-M16
DN60	2.5"	89	175	30	48	12.7	145	
DN80	3"	95	181	30	49	12.7	160	
DN100	4"	114	200	30	55	15.8	180	8-M16
DN125	5"	127	213	30	58	19.05	210	
DN150	6"	140	225	30	59	19.05	240	8-M20
DN200	8"	173	260	36	64	22.2	295	8-M20
DN250	10"	203	292	36	70	28.6	350	12-M20
DN300	12"	237	337	36	80	31.8	400	
DN350	14"	275	360	45	80	31.8	460	16-M20
DN400	16"	304	400	51	90	31.8	515	16-M24
DN450	18"	360	420	51	109	38	565	20-M24
DN500	20"	365	480	64	135	41.1	620	20-M24
DN600	24"	440	560	71	156	50.65	725	20-M27
DN700	28"	510	605	71	169	55	840	20-M27