

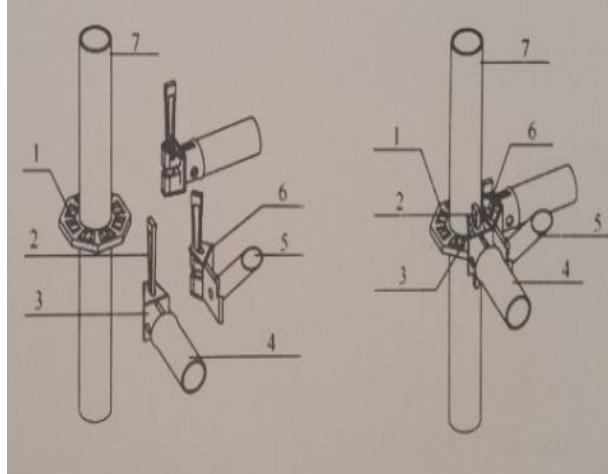
Tianjin xuboyuan iron&steel trading co..ltd

7-701 , Xinhuiyuan,Zhujiang rd.,Hexi District,Tianjin,China Tel:+86 22 58266218

Fax:22-22884648 Mobile:+86 182 0265 6811 skype:mandy_xbysteel

Mail:xuboyuan_mandy@sina.cn

Hot dipped galvanized Ringlock scaffoldings



- 1.connection land 2.bolt 3.horizontal bar end joint 4.horizontal bar
5.diagonal brace 6.diagonal brace end joint 7.vertical bar

System parts

1.Hot dipped galvanized Solid jack base



Type	Item	Length (mm)	Note
KTZ-600	Adjustable base	600	Base 140*140mm
KTC-600	Adjustable support	600	Support 170*150mm

2.Hot dipped galvanized Horizontal tube Q345 OD 60mm WT 3.2mm



Type	Item	Length(mm)
SG-600	Horizontal bar	600
SG-900	0.9M Horizontal bar	900
SG-1200	1.2M Horizontal bar	1200
SG-1500	1.5M Horizontal bar	1500
SG-1800	1.8M Horizontal bar	1800
SG-2400	2.4M Horizontal bar	2400
SG-3000	3.0M Horizontal bar	3000

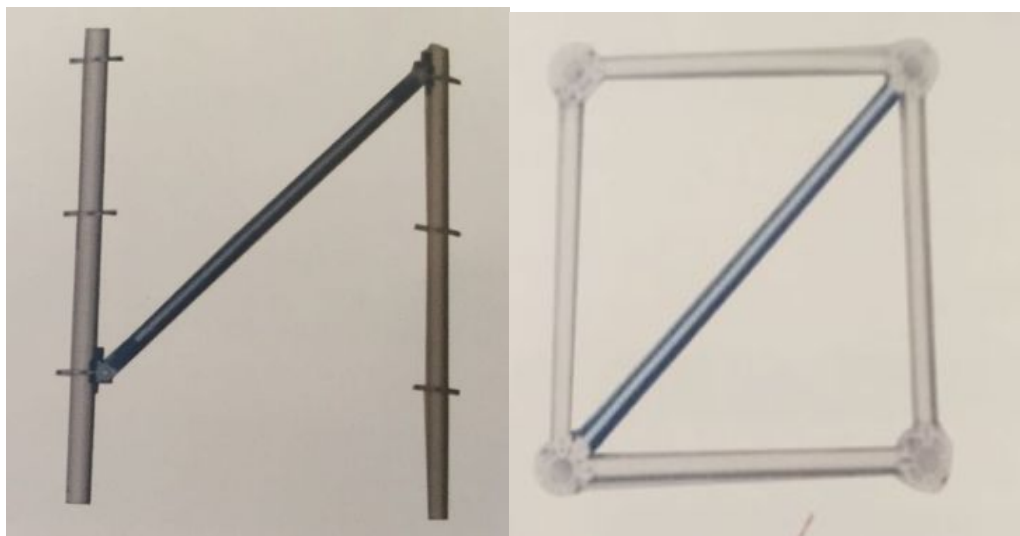
3.Hot dipped galvanized vertical tube Q345 OD60MM WT 3.2mm



Type	Item	Length(mm)
LG-3000	3.0M Vertical bar	3000

LG-2000	2.0M vertical bar	2000
LG-1500	1.5M vertical bar	1500
LG-1000	1.0M vertical bar	1000
LG-500	0.5M vertical bar	500
LG-200	0,2M vertical bar	200

3.Hot dipped galvanized Diagonal brace



Type	Item
SXG-600*600	600X600 diagonal brace
SXG-600*900	600X900 diagonal brace
SXG-900*900	900X900 diagonal brace
SXG-900*1200	900X1200 diagonal brace
SXG-1200*1200	1200X1200 diagonal brace
SXG-1200*1500	1200X1500 diagonal brace
SXG-1500*1500	1500X1500 diagonal brace
XG-600*1500	600X1500 disgonal brace
XG-900*1500	900X1500 disgonal brace
XG-600*1500	600X1500 disgonal brace
XG-1800*1500	1800X1500 disgonal brace
XG-2400*1500	2400X1500 disgonal brace
XG-3000*3000	3000X3000 disgonal brace