

# Ruiapple

## DC BRUSHLESS FA SPECIFICATION

### RA-DC4020( 40x40x20mm)

**DESIGN FEATURES**

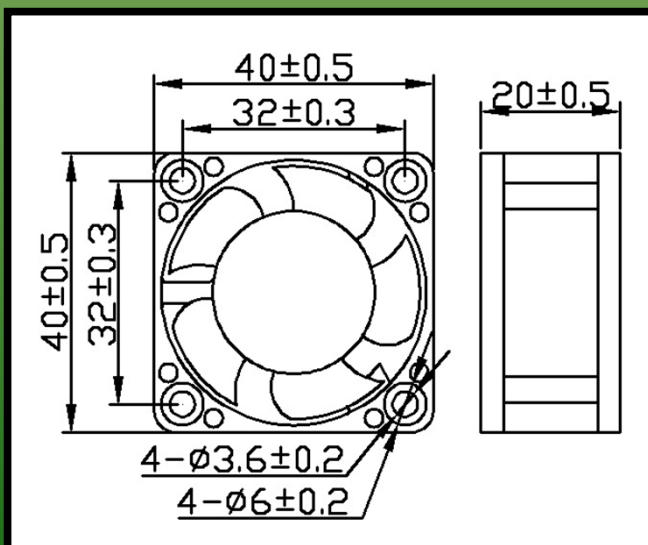
- ※BEARING SYSTEM:SLEEVE BEARING & BALL BEARING
- ※IMPELLER:PLASTIC WITH FIBER GLASS FILED UL 94V-0
- ※HOUSING:PLASTIC WITH FIBER GLASS FILED UL 94V-0
- ※MOTOR:BRUSHLESS DC
- ※CONNECTING:WIRE LEADS
- RED WIRE POSITIVE(+)
- BLACK WIRE NEGATIVE(-)
- ※SPEED:H HIGH SPEED TYPE
- M MEDIUM SPEED TYPE
- L LOW SPEED TYPE



### DATA SHEET

MODEL NO	VOLTAGE (V)	CURRENT (A)	POWER (W)	SPEED (RPM)	AIR (CFM)	STATIC PRESSURE (mm-H <sub>2</sub> O)	NOISE dB(A)
DC4020L	05	0.14	0.60	5500	5.7	3.5	25
	12	0.08	0.96	5500	5.7	3.5	25
	24	0.07	1.68	5500	5.7	3.5	25
DC4020M	05	0.18	0.90	6000	6.5	4.1	28
	12	0.10	1.20	6000	6.5	4.1	28
	24	0.08	1.96	6000	6.5	4.1	28
DC4020H	05	0.25	1.25	7000	7.8	4.7	32
	12	0.11	1.32	7000	7.8	4.7	32
	24	0.08	1.96	7000	7.8	4.7	32

### DIMENSIONS DRAWING (mm)



### P & Q CURVE (AT RATED VOLTAGE)

