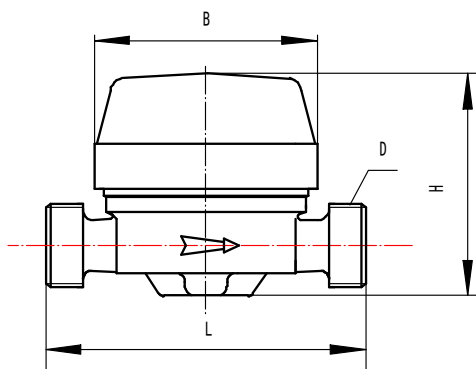


LXDG-15M~20M Single-Jet, Vane Wheel, Dry-Dial Water Meter (Mini type with eight number wheels) (page 1/2)



Application:

--Measuring the volume of cold potable water passing through the pipeline.

Feature:

- Single-jet, dry-dial, free rotating register, small in size and light in weight,
- Magnetic drive, Resistance to exterior magnet interference,
- Keep the reading clear in a long term service.

Note:

--Measuring accuracy conform to ISO 4064 class B standard.

Working condition:

- Water temperature: $0.1^{\circ}\text{C} \sim 30^{\circ}\text{C}$
- Water pressure : $\leq 1.0\text{Mpa}$

Maximum Permissible Error:

- (1) in the lower zone from q_{\min} inclusive up to but excluding q_t is $\pm 5\%$.
- (2) in the upper zone from q_t inclusive up to and including q_s is $\pm 2\%$.

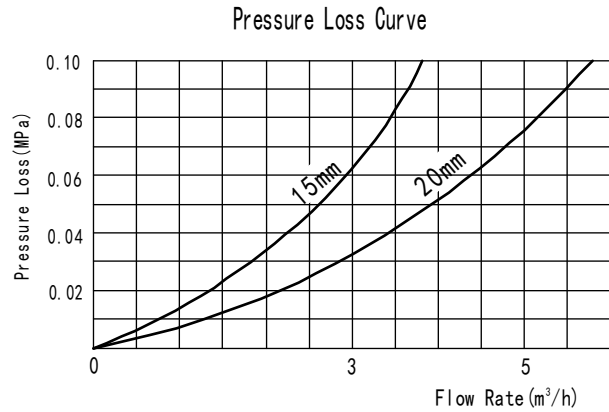
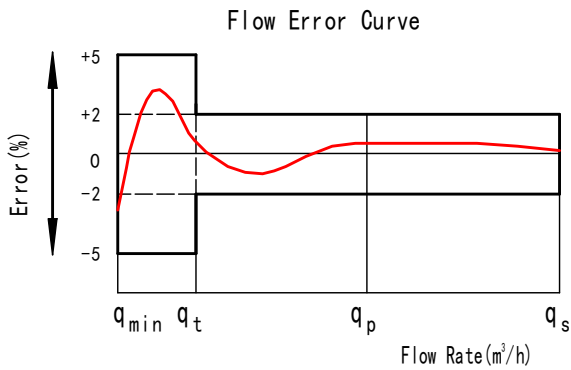
MAIN TECHNICAL SPECIFICATIONS

Type	Size (mm)	Class	q_s	q_p	q_t	q_{\min}	Minimum Reading	Maximum Reading
			Overload Flow	Permanent Flow	Transitional Flow	Minimum Flow		
			m ³ /h		L/h		m ³	
LXDG-15M	15	B	3.0	1.5	120	30	0.0001	99,999
LXDG-20M	20	B	5.0	2.5	200	50	0.0001	99,999

DIMENSIONS

Type	Size	L Length	B Width	H Height	D Connecting Thread
LXDG-15M	15	110	67.5	72	G3/4B
LXDG-20M	20	130	67.5	73.5	G1B

LXDG-15M~20M Single-Jet, Vane Wheel, Dry-Dial Water Meter (Mini type with eight number wheels) (page 2/2)



LXDG-15M~20M SINGLE-JET, VANE WHEEL, DRY-DIAL WATER METER

Code	Description	Material	QTY
1	Lid	PP	1
2	Mantle	ABS	1
3	Retaining Ring	ABS	1
4	Sealed Register	Assembly	1
5	Fixing Ring	Brass	1
6	Magnetic Shield	Iron	1
7	Separating Plate	PPO	1
8	O-ring	Silicon Rubber	1
9	Complete Turbine	Assembly	1
10	Counter Pivot	Component	1
11	Body	Brass	1
12	Inlet Strainer	POM	1
13	Coupling gasket	Rubber	2
14	Coupling Tail Piece	Brass	2
15	Coupling Nut	Brass	2

