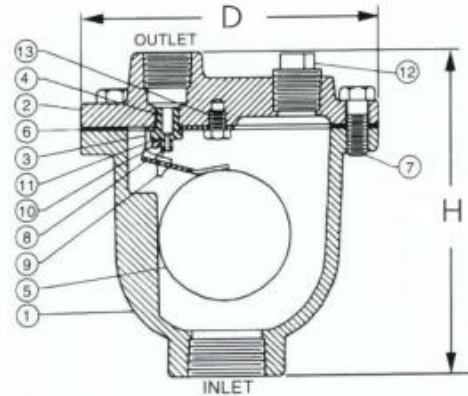


AUTOMATIC AIR VENT VALVE (FIG.AV-01)



TECHNICAL DATA:

- 1). WORKING PRESSURE :PN10 / PN16
- 2). WORKING TEMPERATURE: -1°C to 120°C
- 3). CONNECTION : BSP OR NPT INLET AND OUTLET ARE AVAILABLE
- 4). CORROSION TREATMENT: INTERNALLY AND EXTERNALLY LIQUID EPOXY PAINTED OR FUSION BONDED EPOXY POWDER COATED (FBE)
- 5). ANY OF MARKINGS REQUIRED CAN BE SHOW IN THE METAL PLATE ON THE VALVE COVER

MATERIAL LIST				
NO.	PART NAME	MATERIAL NAME	EN SPEC.	ASTM SPEC.
1	BODY	CAST IRON	EN JL 1040	ASTM A126 CLASS B
2	COVER	CAST IRON	EN JL 1040	ASTM A126 CLASS B
3	LEVER FRAM	STAINLESS STEEL	BS970 304S15	AISI 304
4	SEAT	STAINLESS STEEL	BS970 304S15	AISI 304
5	FLOAT BALL	STAINLESS STEEL	BS970 304S15	AISI 304
6	GASKET	EPDM	COMMERCIAL	COMMERCIAL
7	COVER BOLT	CARBON STEEL	CARBON STEEL Gr.408	A307B
8	FLOAT ARM	STAINLESS STEEL	BS970 304S15	AISI 304
9	ORIFICE BUTTON	VITON	COMMERCIAL	COMMERCIAL
10	PIVOT PIN	STAINLESS STEEL	BS970 304S15	AISI 304
11	PIN RETAINER	STAINLESS STEEL	BS970 304S15	AISI 304
12	PIPE PLUG 1/2"	BRASS / MALLEABLE IRON	COMMERCIAL	COMMERCIAL
13	LOCATOR	STAINLESS STEEL	BS970 304S15	AISI 304

DIMENTION (MM)						
SIZE	D	H	INLET SIZE	OUTLET SIZE	ORIFICE SIZE	WEIGHT(KGS)
1/2"	125	135	1/2"	1/2"	1/16"	2.80
3/4"	125	135	3/4"	1/2"	1/16"	2.80
1"	125	135	1"	1/2"	1/16"	2.80