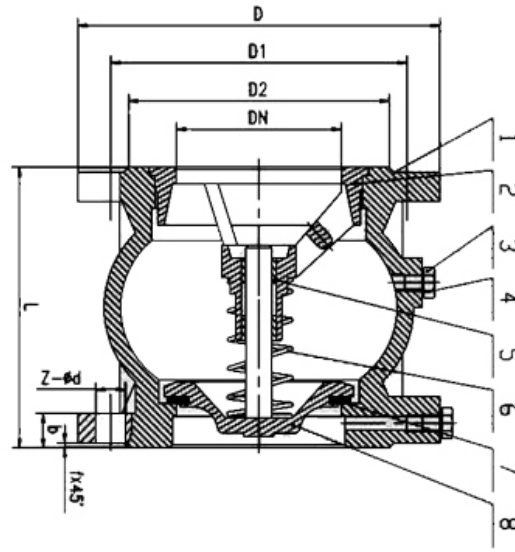


DIN CAST IRON SILENT CHECK VALVE PN16



DESCRIPTION:

Available Medium: Water, Salt Water, Effluent, Steam, Various oil,

Working Temperature: EPDM $-10^{\circ}\sim+100^{\circ}$

Face to Face Dimensions: DIN3202F6

Flange Dimensions: DIN2533 PN16

MATERIALS		
ITEM	PARTS NAME	MATERIAL
1	BODY	CAST IRON
2	GUIDE PULLEY	GGG40
3	PLUG	BRASS
4	"O"RING	RUBBER
5	GUIDE SLEEVE	BRASS
6	SPRING	STAINLESS STEEL
7	GASKET	RUBBER
8	DISC	GGG40

DIMENSIONS (MM)								
DN	L	D	D1	D2	b	Z-φd	f	KG
50	100	165	125	102	20	4-18	3	5.6
65	120	185	145	122	20	4-18	3	8.96
80	140	200	160	138	22	8-18	3	12.26
100	170	220	180	158	24	8-18	3	14.8
125	200	250	210	188	26	8-18	3	23.3
150	230	285	240	212	26	8-23	3	31.2
200	288	340	295	268	30	12-23	3	
250	354	405	355	320	32	12-27	3	
300	410	460	410	378	32	12-27	4	