

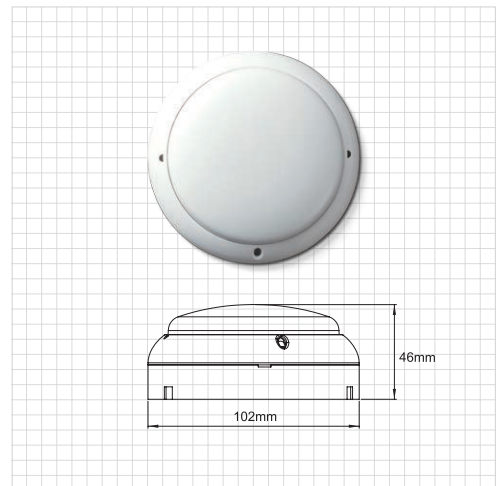
# AH-0933

## Mechanical Rate of Rise Heat Detector

### Characteristics

- Detector is made of high endurance, solid and colorfast Fire-proof plastic.
- Non-loosening screws on base terminal for easy installation.
- The unit is completely sealed; its function is not affected by humidity, dust or insects.
- This detector has passed strict quality control and repetitive testing, hence its quality is stable and highly reliable.

Approvals: 



Specifications	
Model	AH-0933
Type	2-wire
Voltage Range	12 ~ 30V DC
Alarm Current @24V DC 470Ω	40mA
Alarm Temperature	Comply to EN54
Ambient Temperature	0°C ~ +55°C
Material	Fire-proof plastic
Dimensions	102mm(Dia.) x 46mm(H)
Weight	About 130g
Color	White

Effective alert area		
Construction/Height	Under 4M	4M ~ 8M
Fire-proof Building	90 M <sup>2</sup>	45 M <sup>2</sup>
Ordinary Building	50 M <sup>2</sup>	30 M <sup>2</sup>