

2.4 GHz Antenna for IEEE 802.11 WLAN System or Bluetooth



Model No.

AB2400-4801SM

Application

- IEEE 802.11 WLAN System
- Wireless Communication System
- Wi-Fi / WLAN / MIMO / Bluetooth System

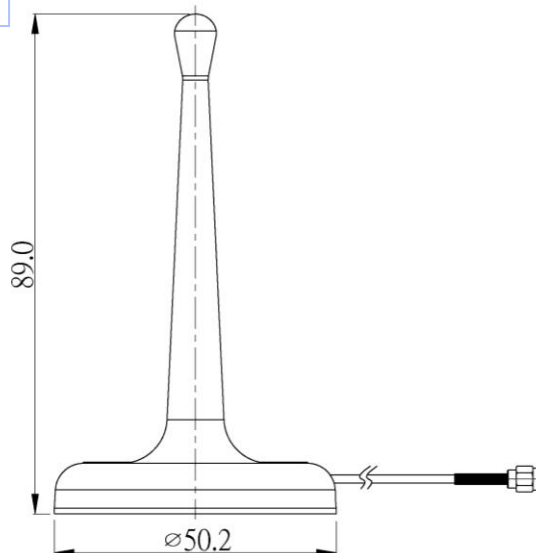
Features

- RoHS Compliant
- Low V.S.W.R. / Low Loss Design / High Gain
- High Efficiency and Sensitivity
- Low Loss RF Coaxial Connector Cable Feed
- Matching Free Design

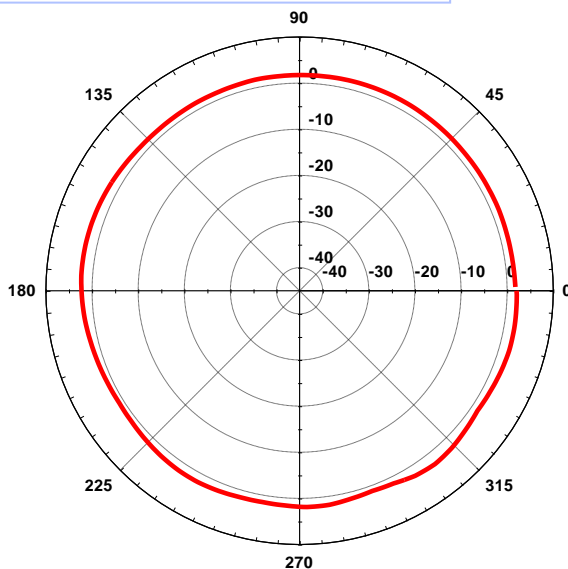
Specification

- Freq. : 2.4 - 2.5 GHz
- S.W.R. : ≤ 2.0
- Gain : 2 - 3 dBi (* Typical *)
- Radiation Pattern : Omni-Directional
- Connector : SMA / TNC / BNC / FME

Dimension



H-Plane Radiation Pattern



E-Plane Radiation Pattern

