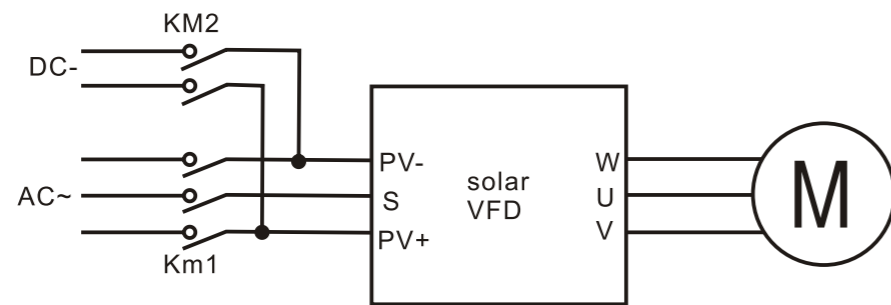


## SKI-P SERIES SOLAR PUMP INVERTER

### Main Function

- Full Automatic working DC TO AC
- Drive power-matched three-phase AC pump
- Advanced MPPT function, efficiency >98%.
- Smart operation, water level detection, overflow and dry pumping.
- Adopt advanced IGBT power module.
- Simple installation, intelligent operation.

### Diagram



### TECHNICAL PARAMETER

MODEL	SKI-P0R75-T2	SKI-P1R5-T2	SKI-P2R2-T2
<b>DC INPUT</b>			
DC input voltage	200VDC-400VDC		
input current	8.2A	14.2A	23A
<b>AC OUTPUT</b>			
output power	0.75KW	1.5KW	2.2KW
Rated output voltage	3phase 220-240VAC		
output Frequency(Hz)	0-50/60Hz		
Rated output current	4.5A	7A	10A
Max efficiency	97%		
<b>PROTECTION</b>			
input DC voltage low	≤200VDC: E010(RUN) LU(STOP)		
input DC voltage high	≥400VDC: E007(Speed up) E008(Speed down) E009(constant speed)		
overload	E011		
over temperature	E016		
<b>AMBIENT</b>			
Display	LCD/LED		
Communication interface	Rs485		
temperature	-20~45 degree C		
Noise(dB)	<50(dB)		
<b>DIMENSION</b>			
Product size L*W*H	185*125*160		
QTY in each carton	8		
Packing size	480*380*460		
Weight(kg)	17.5kg		

## SKI-P SERIES SOLAR PUMP INVERTER



### TECHNICAL PARAMETER

MODEL	SKI-P 0R75-T3	SKI-P 1R5-T3	SKI-P 2R2-T3	SKI-P 3R7-T3	SKI-P 5R5-T3	SKI-P 7R5-T3	SKI-P 11-T3	SKI-P 15-T3	SKI-P 18R5-T3	SKI-P 22-T3	SKI-P 30-T3	SKI-P 37-T3
<b>DC INPUT</b>												
DC input voltage	400VDC-800VDC											
input current	4.3A	7.3A	10A	19A	27A	34A	50A	64A	73A	89A	119A	148.1A
<b>AC OUTPUT</b>												
output power	0.75KW	1.5KW	2.2KW	3.7KW	5.5KW	7.5KW	11KW	15KW	18.5KW	22KW	30KW	37KW
Rated output voltage	3phase 380-460VAC											
output Frequency(Hz)	0-50/60Hz											
Rated output current	2.2A	3.7A	5A	9A	13A	17A	25A	32A	37A	45A	60A	75A
Max efficiency	97%											
<b>PROTECTION</b>												
input DC voltage low	≤400VDC: E010(RUN) LU(STOP)											
input DC voltage high	≥800VDC: E007(Speed up) E008(Speed down) E009(constant speed)											
overload	E011											
over temperature	E016											
<b>AMBIENT</b>												
Display	LCD/LED											
Communication interface	Rs485											
temperature	-20~45 degree C											
Noise(dB)	<50(dB)											
<b>DIMENSION</b>												
Product size L*W*H	200*130*180	250*50*190	325*220*220	550*325*300	630*415*410							
QTY in each carton	8	6	2	1	1							
Packing size	480*380*460	650*295*485	610*400*315	550*325*300	630*415*410							
Weight(kg)	17.5kg	18.5kg	22kg	23kg	14kg	16kg	33kg					