



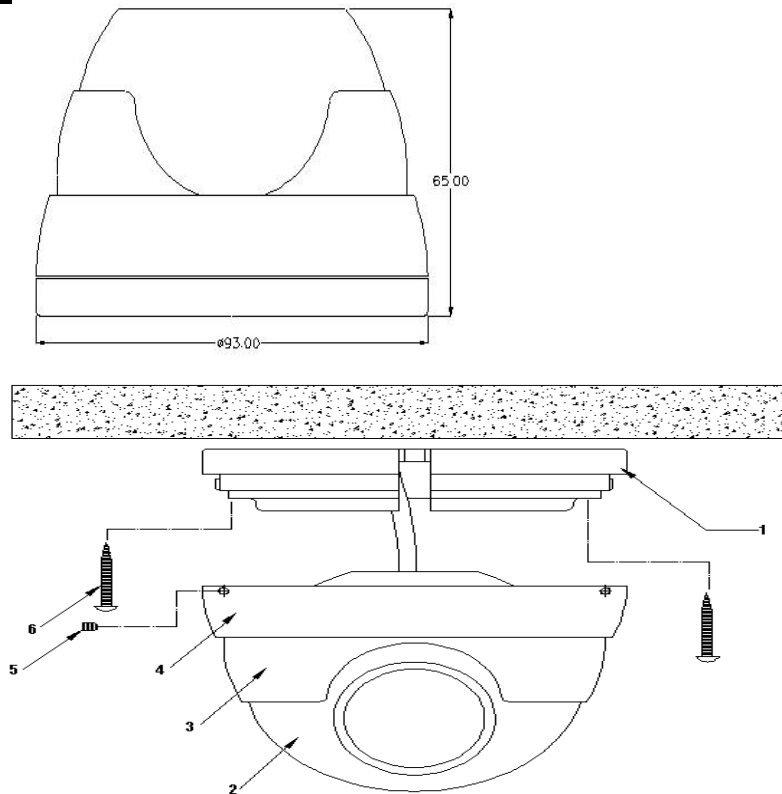
## Features & Picture:

- ◆ Vehicle Eyeball" Style IR Day/Night Mini Metal Dome Camera
- ◆ 1/3" SONY Color SuperHAD II Low Lux CCD
- ◆ Resolution: 550TVL,650TVL,700TVL
- ◆ Vandal-proof Housing
- ◆ Lens Optional: 2.1/2.5/2.8/3.6/6.0/8.0/12.0mm
- ◆ IP66 Weather-proof & Vandal-proof
- ◆ 24 leds, vision range 20m(Optional)
- ◆ Dual-glass
- ◆ With Audio(Optional)
- ◆ Dimension: D93xH65(mm)



Housing#: VPS

## Dimensions:



## Specifications

Model	550ST-VPS	650SN-VPS	701SN-VPS	1200CM-VPS
Pick up Device	1/3" SONY Color SuperHAD II Low Lux CCD			1/3" SONY CMOS IMX138 Sensor
Signal Format	PAL or NTSC (color)			
Picture Elements	PAL:752(H)x582(V); NTSC:768(H)x494(V)		PAL:976(H)x582(V); NTSC:976(H)x494(V)	PAL:1280(H)x1024(V); NTSC:1280(H)x1024(V)
Horizontal Resolution	550TVL	650TVL	700TVL	1200 TVL(1.31 Mega pixels)
Sensitivity	0 Lux(Infrared LED On,at F1.2)			
Infrared LED	24 Leds			
Infrared LED Range	20m			
Scanning System	PAL:625 TVL; NTSC:525TVL 2:1 Interlace			
Synchronization	Internal sync.			
Infrared Spectrum	N/A			
S/N Ratio	Over 50dB(AGC off)			
Auto Gain Control	Auto			
White Balance	Auto			
Electronic Shutter	Auto			
Back Light Compensation	Auto			
Video Output	1 Vp-p,75Ω Composite ,BNCx1			
Audio Output	Optional			
Mirror	Optional			
Gamma Ratio	0.45			
Auto-iris Lens Control	N/A			
Lens	f2.1mm~12mm			
Lens Mount	M12xP0.5mm Thread			
Exterior Focus Adjustment	N/A			
Pan Adjusting	N/A			
Tilt Adjusting	N/A			
Power Supply	12V DC ±10%, ø 2.0mm DC Jack x1			
Power Consumption	270mA			
Dimensions(D x H)	93x65mm			
Net Weight	305g			
Weatherproof/Waterproof	IP66			
Operating Temperature	-10°C to +50°C			

*\*Specifications are subject to change without prior notice*