

# AH-031 Series




---

**AH-0311 Multi-Purpose Smoke Detector**  
**AH-0315 Multi-Purpose Smoke and Heat Detector**  
**AH-0316 Multi-Purpose Combination Heat Detector**

---

## Multi-purpose Resettable Type

*This unit has designed for relay output feature with optional individual power source and it has been used widely in the current market. This resettable detector is not only use as a fire alarm system but will also supervise input power via an optional relay output for power breakdown or wire break. Fault relay contact will open when power breakdown occur and fire alarm signal will transmitted to connected system or computer terminal when detector is activated. When the alarm signal is absent the detector will automatically return to standby status. Optional built-in buzzer can sound a warning at the first sign of fire. This detector is currently used quite often in security systems and is also promoted for use in communications, banking, shipping or the art business.*

## Characteristics

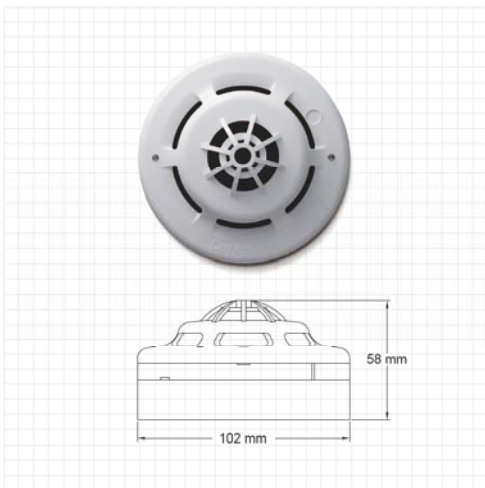
- Special chamber design has greatly decreased dust levels and improved detection accuracy.
- Dual LEDs for 360-degree visibility.
- Advanced technology enables this detector to increase its precision in fire detection, improve signals to avoid noise interference and thus reduce unwanted false alarm.
- Low current consumption that allows more detectors to be used with each control panel.
- Dual contacts on the base which enhance the connecting stability between sensor and base.
- All bases are fitted with a shorting spring to permit maintenance without disconnecting when removing the detector head.



# AH-0315

## Multi-Purpose Smoke and Heat Detector

Approvals: EN54  



### Specifications

Model	AH-0315-2	AH-0315-3	AH-0315-4
Voltage Range	12 ~ 30V DC		
Standby Current	55µA		
Alarm Current @24V DC 470Ω	40mA	30mA	40mA
Sensitivity Setting	Comply to EN54		
Thermal Setting	58°C		
Response Grade	Comply to EN54, Grade 1		
Ambient Temperature	-10°C ~ +55°C		
Material	Fire-proof plastic		
Dimensions	102mm(Dia.) x 58mm(H)		
Weight	155g	157g	165g
Color	White		

### Order information

AH-0315-2	2-wire
AH-0315-3	3-wire with remote indicator output
AH-0315-4	4-wire with relay output

### Specifications (Resettable)

Model	AH-0315-S	AH-0315-BS	AH-0315-BPS
Alarm Current	25mA	65mA	80mA
Standby Current	125µA	125µA	15mA
Voltage Range	12V DC	12V DC	12V DC
Weight	164g	166g	171g

### Order informations (Resettable)

AH-0315-S	+ Relay Output
AH-0315-BS	+ Buzzer + Relay Output
AH-0315-BPS	+ Buzzer + Power off & Wire Disconnection Warning + Relay Output

### Effective alert area

Building Height	Area Covered
Under 4M	150 M <sup>2</sup>
4 ~ 20M	75 M <sup>2</sup>