



深圳易凯达科技有限公司  
永嘉达科技有限公司（香港）  
WIN-KARE TECHNOLOGY CO.,LTD

### Rotary Dimmer



Model:CT-03

Input Voltage:110-120Vac,50/60hz

Rated Loading:20w~150w

Ta=45°C

Over heat protect

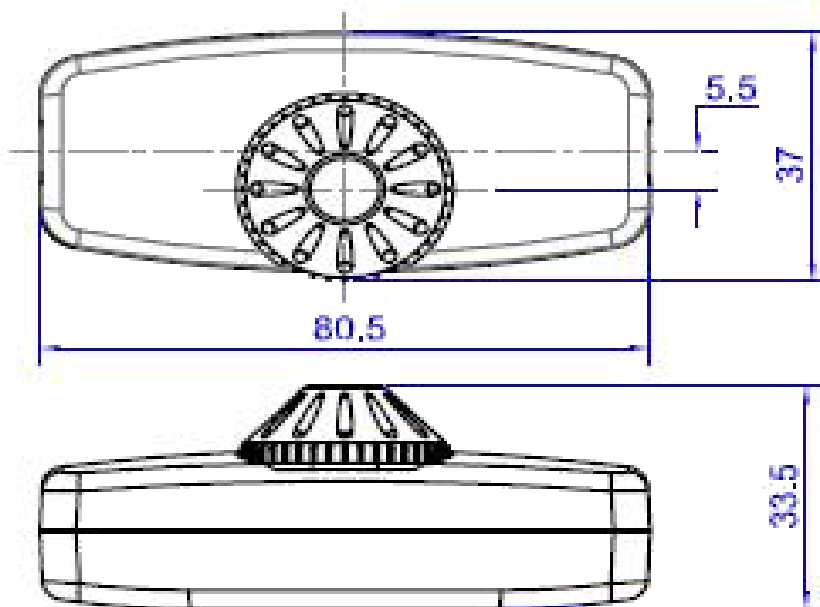
Dimmable life:min.10000

Dimmable way: Rotary

Hi-Pot 4KVac

Fire prevention PC case

Size: L80.5xW37xH33.5



Tel:+86-755-25003073;Fax:+86-755-25003079

Http:\\www.win-kare.com; Mail:service@win-kare.com