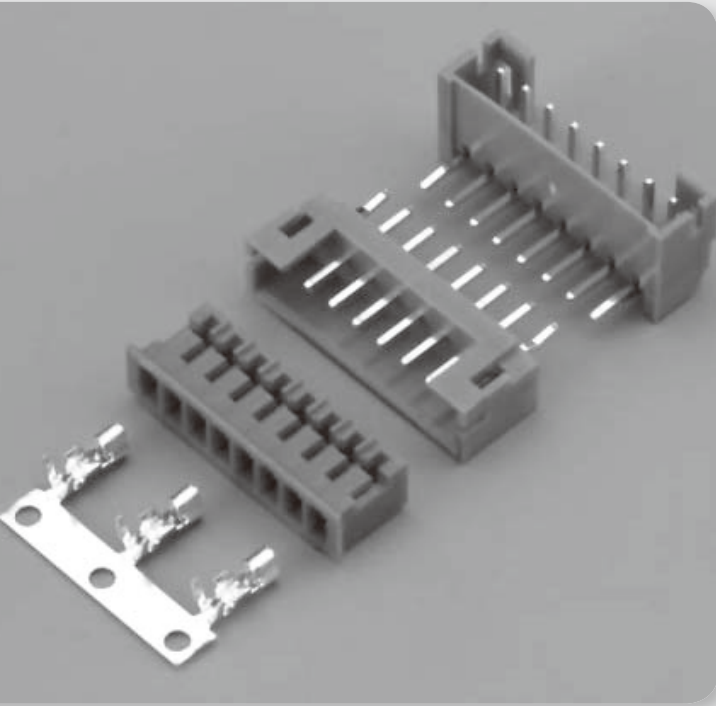


2.00mm (.079") Crimp Style Connectors



Specifications

- Voltage Rating : 250V AC/DC
- Current Rating : 2A AC/DC
- Withstanding Voltage : 500V AC/minute
- Insulation Resistance : 1000M Ω min.
- Temperature Range : -25°C to + 85°C
- Contact Resistance : 20m Ω max.

Features:

■ HOUSING

Part No. : JS-1101-XX

Poles : 2 - 15

Material : Nylon 66 UL94V-0

Q'ty : 1,000 pcs/Bag

■ WAFER

Part No. : JS-9001-XX (Straight)

JS-9001R-XX (Right Angle)

Poles : 2 - 15

Material : Contact : Brass, Tin Plated

Base : Nylon 66 UL94V-0

Q'ty : 1,000 pcs./Bag

■ TERMINAL

Part No. : JS-1101-TL, JS-1101-TH

Applicable Wires : AWG# 26-28 JS-1101-TL

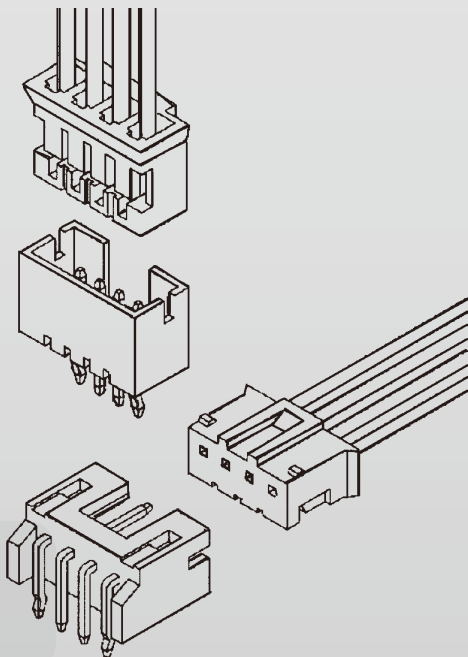
AWG# 22-24 JS-1101-TH

Material : Phos. Bronze

Finish : Tin Plated

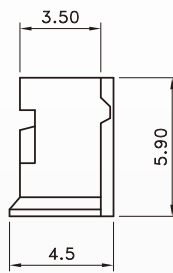
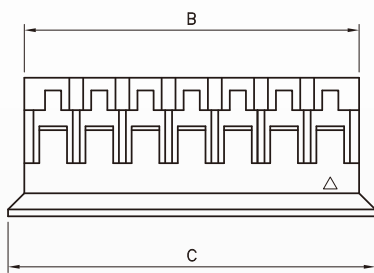
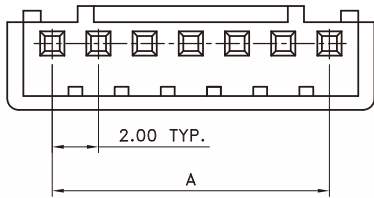
Thickness : 0.2mm

Q'ty : 10,000 pcs/Reel



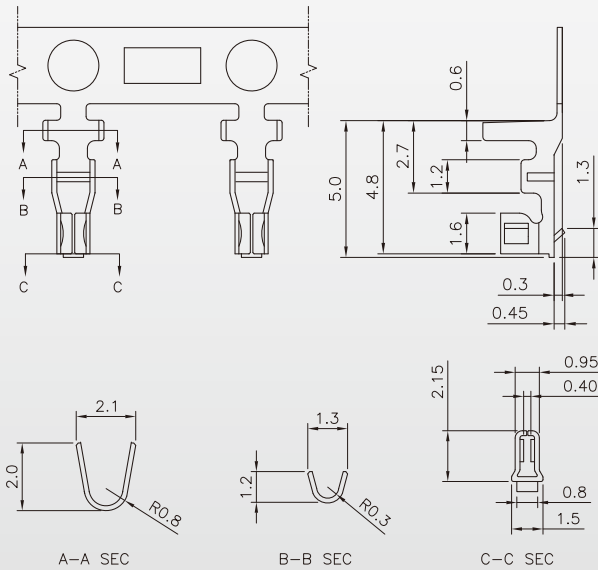
2.00mm (.079") Crimp Style Connectors

Housing JS-1101

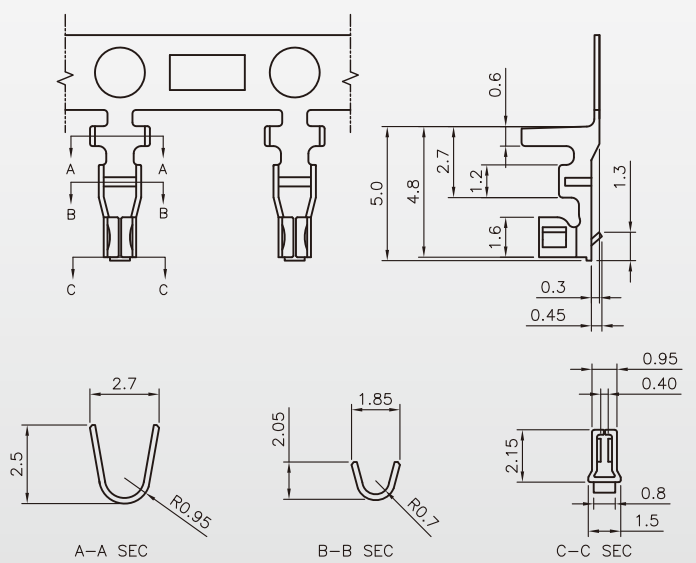


Poles	Part No.	Dimensions (mm)		
		A	B	C
2	JS-1101-02	2.00	4.50	5.60
3	JS-1101-03	4.00	6.50	7.60
4	JS-1101-04	6.00	8.50	9.60
5	JS-1101-05	8.00	10.50	11.60
6	JS-1101-06	10.00	12.50	13.60
7	JS-1101-07	12.00	14.50	15.60
8	JS-1101-08	14.00	16.50	17.60
9	JS-1101-09	16.00	18.50	19.60
10	JS-1101-10	18.00	20.50	21.60
11	JS-1101-11	20.00	22.50	23.60
12	JS-1101-12	22.00	24.50	25.60
13	JS-1101-13	24.00	26.50	27.60
14	JS-1101-14	26.00	28.50	29.60
15	JS-1101-15	28.00	30.50	31.60

Terminal JS-1101-TL

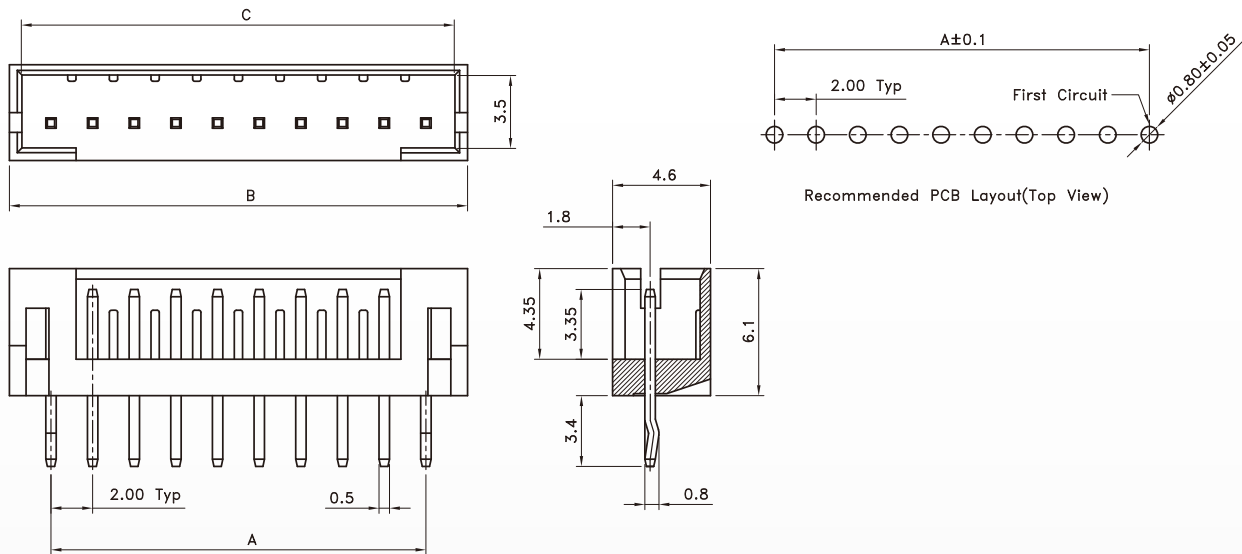


Terminal JS-1101-TH



2.00mm (.079") Crimp Style Connectors

Wafer - Straight JS-9001



Poles	Part No.		Dimensions (mm)	
	JS-9001	JS-9001R	A	B
2	JS-9001-02	JS-9001R-02	2.00	6.00
3	JS-9001-03	JS-9001R-03	4.00	8.00
4	JS-9001-04	JS-9001R-04	6.00	10.00
5	JS-9001-05	JS-9001R-05	8.00	12.00
6	JS-9001-06	JS-9001R-06	10.00	14.00
7	JS-9001-07	JS-9001R-07	12.00	16.00
8	JS-9001-08	JS-9001R-08	14.00	18.00

Poles	Part No.		Dimensions (mm)	
	JS-9001	JS-9001R	A	B
9	JS-9001-09	JS-9001R-09	16.00	20.00
10	JS-9001-10	JS-9001R-10	18.00	22.00
11	JS-9001-11	JS-9001R-11	20.00	24.00
12	JS-9001-12	JS-9001R-12	22.00	26.00
13	JS-9001-13	JS-9001R-13	24.00	28.00
14	JS-9001-14	JS-9001R-14	26.00	30.00
15	JS-9001-15	JS-9001R-15	28.00	32.00

Wafer - Right Angle JS-9001R

