

Spring-Loaded Connectors

5.30mm length tube

Single row strips

-Materials:

.Insulator: Black plastics (265°C) UL94 V-0

.Plunger: Brass Au over Ni

.Barrel: Brass Au over Ni

.Spring: SUS surface treatment

-Mechanical:

.Spring force: 70g±20g at 1.0mm working stroke

.Full stroke: 1.40mm

.Life test: 100,000 cycles

-Electrical:

.Rated current & voltage: DC12V; 5A Max.

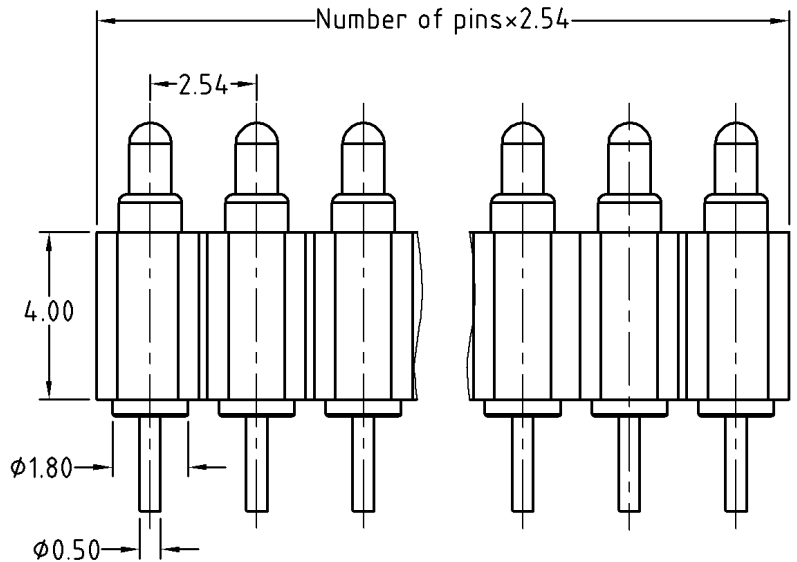
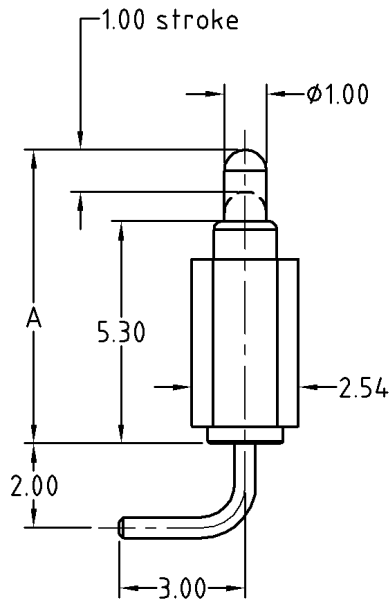
.Contact resistance: 50 milliohm Max.

Initial height-A	SS-code
6.5mm	11
7.0mm	21
7.5mm	31
8.0mm	41

G-Barrel	G-Plunger
1-0.125um	1-0.125um
2-0.25um	2-0.25um
3-0.375um	3-0.375um
4-0.5um	4-0.5um
5-0.75um	5-0.75um
...	...

NN-Pins
01~64

Single row series → MP325 - SS GG - E NN 100A



Spring-Loaded Connectors

5.30mm length tube

Double row strips

-Materials:

.Insulator: Black plastics (265°C) UL94 V-0

.Plunger: Brass Au over Ni

.Barrel: Brass Au over Ni

.Spring: SUS surface treatment

-Mechanical:

.Spring force: 70g+/-20g at 1.0mm working stroke

.Full stroke: 1.40mm

.Life test: 100,000 cycles

-Electrical:

.Rated current & voltage: DC12V; 5A Max.

.Contact resistance: 50 milliohm Max.

Initial height-A	SS-code
6.5mm	11
7.0mm	21
7.5mm	31
8.0mm	41

G-Barrel	G-Plunger
1-0.125um	1-0.125um
2-0.25um	2-0.25um
3-0.375um	3-0.375um
4-0.5um	4-0.5um
5-0.75um	5-0.75um
...	...

NN-Pins
02~128

Double row series → MP325 - SS GG - F NN 100A

