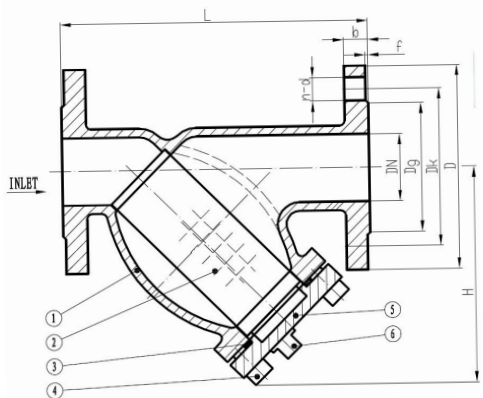


## DIN STD Y-TYPE STRAINER FLANGED ENDS



### MATERIAL:

- 1) **Body/Cover/Plug:** Cast Iron /Ductile iron
- 2) **Screen:** Stainless Steel ( SS304)
- 3) **Bolts:** Steel DIN ST37-2
- 4) **Body Gasket:** Graphite

### TECHNICAL DATA:

- 1) **Working Pressure:** PN10 / PN16
- 2) **Shell Pressure:** PN15 /PN24; **Seat Pressure:** PN11 / PN17.6
- 3) **Face to face Dimensions:** Conforms to DIN3202 F1
- 4) **Flange drilled:** Conforms to DIN2501  
(Flange dimension can be as per BS10 Table D/E, JIS5K/10K,etc.)
- 5) **Suitable Media:** Water, Oil, Gas.

**DIMENSION LIST (MM)**

DN	L	Dg	Dk	D	f	b	N-d	H
15	130	46	65	95	2	14	4-14	68
20	150	56	75	105	2	16	4-14	78
25	160	65	85	115	3	16	4-14	88
32	180	76	100	140	3	18	4-19	98
40	200	84	110	150	3	19	4-19	125
50	230	99	125	165	3	19	4-19	153
65	290	118	145	185	3	19	4-19	183
80	310	132	160	200	3	19	8-19	219
100	350	156	180	220	3	19	8-19	238
125	400	184	210	250	3	19	8-19	279
150	480	211	240	285	3	19	8-19	315
200	600	266	295	340	3	20	12-23	400
250	730	319	355	405	3	22	12-28	482
300	850	370	410	460	4	24.5	12-28	565