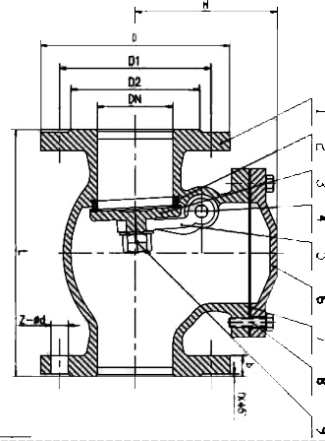


DIN CAST IRON SWING CHECK VALVE



DESCRIPTION:

Available Medium: X-Water, T-Water, Steam, W-Petroleum Products

Working Temperature: X- $\leq 200^{\circ}\text{C}$, T- $\leq 200^{\circ}\text{C}$, W- $\leq 100^{\circ}\text{C}$

Face to Face Dimensions: DIN3202 F6

Flange Dimensions: DIN2532/2533

MATERIALS			
MODEL		With Brass Seating	With Rubber Seating
ITEM	PARTS NAME	Material	Material
1	BODY	GRAY CAST IRON	GRAY CAST IRON
2	SEAT	CAST BRASS	CAST BRASS
3	DISC	GRAY CAST IRON+BRASS	GRAY CAST IRON+RUBBER
4	HANGER PIN	CARBON IRON	CARBON IRON
5	ARM	DUCTILE STEEL	DUCTILE STEEL
6	BONNET	GRAY CAST IRON	GRAY CAST IRON
7	GASKET	GRAPHITE	GRAPHITE
8	BOLT	CARBON STEEL	CARBON STEEL
9	NUT	CARBON STEEL	CARBON STEEL

DIMENSIONS(MM)									
DN	L	D	D1	D2	b	Z- ϕ d	f	H	KG
40	180	150	110	88	18	4-18	3	138	11.5
50	200	165	125	102	20	4-18	3	140	13.6
65	240	185	145	122	20	4-18	3	142	21
80	260	200	160	138	22	4-18/8-18	3	165	26.5
100	300	220	180	158	22/24	8-18	3	175	32
125	350	250	210	188	24/26	8-18	3	198	45
150	400	285	240	212	24/26	8-18	3	228	71.5
200	500	340	295	268	26/30	8-23/12-23	3	245	93/95
250	600	295/405	350/355	320	28/32	12-23/12-27	3	302	136/139
300	700	445/460	400/410	370/378	28/32	12-23/12-27	4	365	188/193
350	800	505/520	460/470	430/438	30/36	16-23/16-27	4	390	275/286