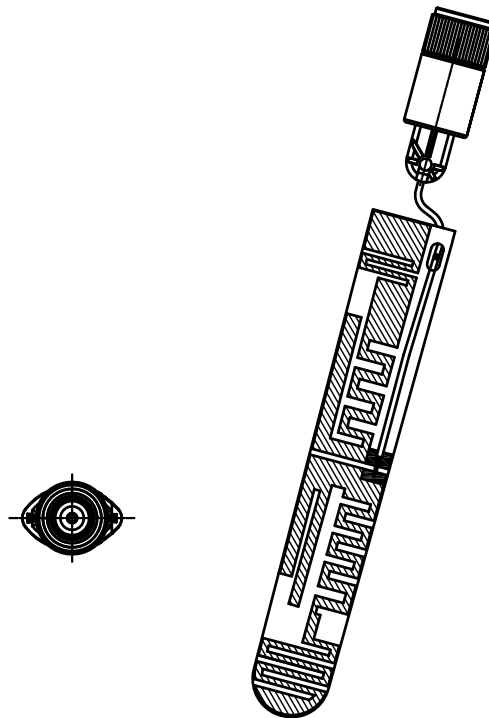
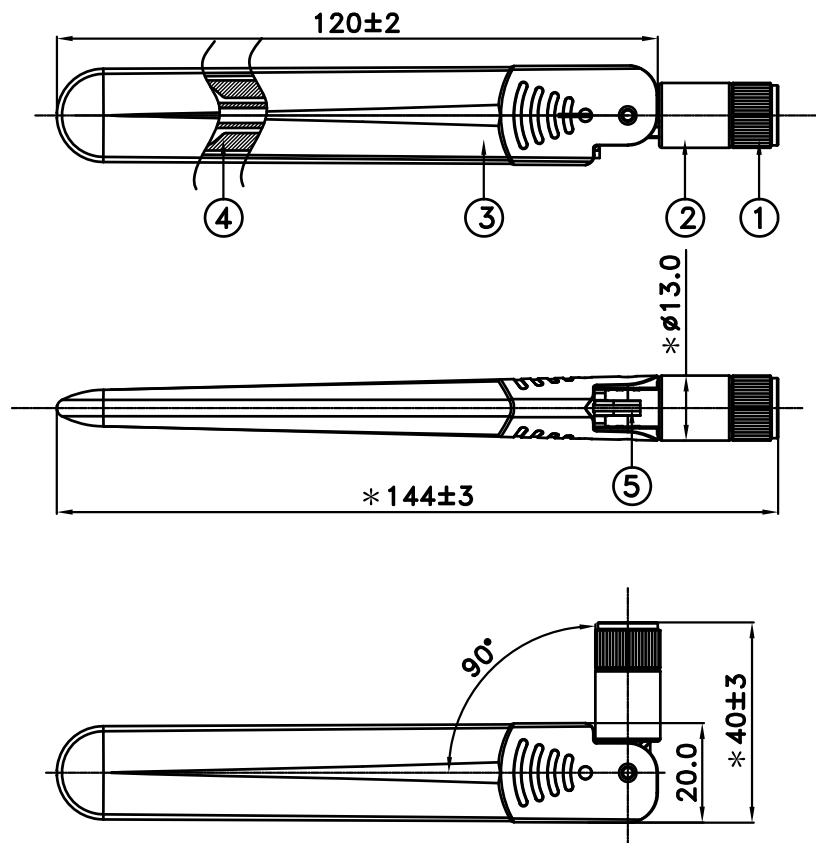


# RoHS

## Compatible



SIGN	DATE	DESCRIPTION	APPROVER
△			
△			
△			



Note:

1. Take " \* " is the important dimension.
2. Tolerance: Unmarked tolerance refer to the standard tolerance please.

5	R-RG-178U-03	Coaxial Cable	RG178U	Red	1
4	PB-AN67-07FB	PCB	FR4	102.7*17*T0.8mm	1
3	AN67-01B	Body	ABS	Black	1
2	Hinge-AN67-01B	Hinge	ABS	Black	1
1	SMA207-CCT5AN19-A	SMA公頭公針	Cu	Black	1
No.	Part Number	Name	Material	Finish	Q'ty

Invax System Group.

# Cortec

## Cortec Technology Inc.

Http://www.invaxsystem.com Tel: 886-2-27885218  
E-mail: info@invax.com.tw Fax: 886-2-27831658

TITLE: AN67 Type LTE Antenna

PART NO.: AN0727-6704BSM

CUSTOMER P/N: /

APP BY	CHK BY	RF BY	DES BY		Tolerance
Grant	Jack	SiFei	LJHUA	UNITS: mm	X.X ±0.5
2013/12/03	2013/12/03	2013/12/03	2013/12/03	SCALE: /	X.XX ±0.2
				REVISION: A	X° ±1

1

2

3

4

5

6

7

8