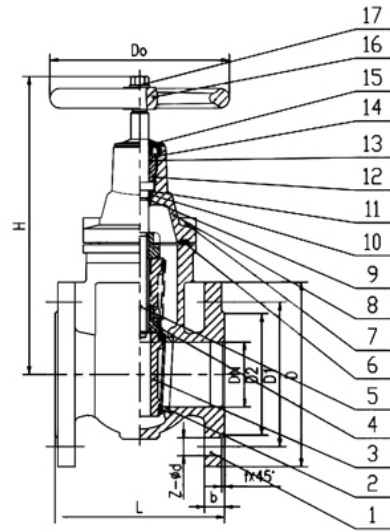


DIN CAST IRON NON-RISING STEM, METAL SEAT, GATE VALVE, LIGHT TYPE, PN10



MATERIALS

ITEM	PARTS NAME	MATERIAL
1	BODY	CAST IRON
2	SEAT	BRASS
3	WEDGE DISC	CAST IRON+BRASS
4	STEM NUT	BRASS
5	STEM	STAINLESS STEEL
6	GASKET	RUBBER
7	HEXAGON SOCKET SCREWS	CARBON STEEL
8	BONNET	CAST IRON
9	"O"RING	RUBBER
10	BUSH	PTFE
11	GASKET	RUBBER
12	"O"RING	RUBBER
13	"O"RING	RUBBER
14	NUT	BRASS
15	SHIELD	RUBBER
16	WHEEL	CAST IRON
17	NUT GASKET	CARBON STEEL

DESCRIPTION:

Available Medium: Water, Petroleum

Working Temperature: $\leq 120^{\circ}\text{C}$

Face to Face Dimensions: DIN3202 F4

Flange Dimensions: DIN2501

DIMENSIONS (MM)

DN	L	D	D1	D2	b	Z- ϕ d	f	H	KG
40	140	150	110	88	18	4-18	3	235	9.6
50	150	165	125	102	20	4-18	3	256	12.2
65	170	185	145	122	20	4-18	3	287	14.6
80	180	200	160	138	22	4-18	3	338	20.5
100	190	220	180	158	22	8-18	3	350	23.1
125	200	250	210	188	24	8-18	3	375	33
150	210	285	240	212	24	8-23	3	436	46.8
200	230	340	295	268	26	8-23	3	530	69.9
250	250	395	350	320	28	12-23	3	640	97.5
300	270	445	400	370	28	12-23	4	690	126.2