

Q810-C Cast Steel, Q810-B Stainless Steel 2/2 Way Pneumatic Ball Valve
(Open/Close or Adjusting Type)

Features

1. Quick action
2. Mounted at any angle
3. Emergency manual device optional
4. with visual valve position indicator
5. No limit on viscosity and flow direction for medium
6. Valve body material: Cast Iron (code: C);
Cast Steel (code: C); SS304 (code: B);
SS316 (code: R); 316L (code: L)
7. Seal Material: II --- Nitrile Butadiene Rubber (NBR, code: N)
III --- Normal: Ethylene-propylene Rubber (EPDM, code: E),
Special: Fluoroplastic (VITON, code: V), Silicon Rubber (code: G)
IV --- Fluoroplastic (PTFE, code: P)
V --- Body material + Flexible Graphite (code: bm)
VI --- Fluoroplastic (PTFE, code: P) --- only suitable for Stainless Steel valve body
VII --- Stainless Steel + Flexible Graphite (code: bm) --- only suitable for Stainless Steel
8. Control mode: Q81011 --- Single acting normally close type, Q81012 --- Single acting normally open type,
Q8102 --- Double acting control, Q810□4□ --- Adjusting type (with positioner)

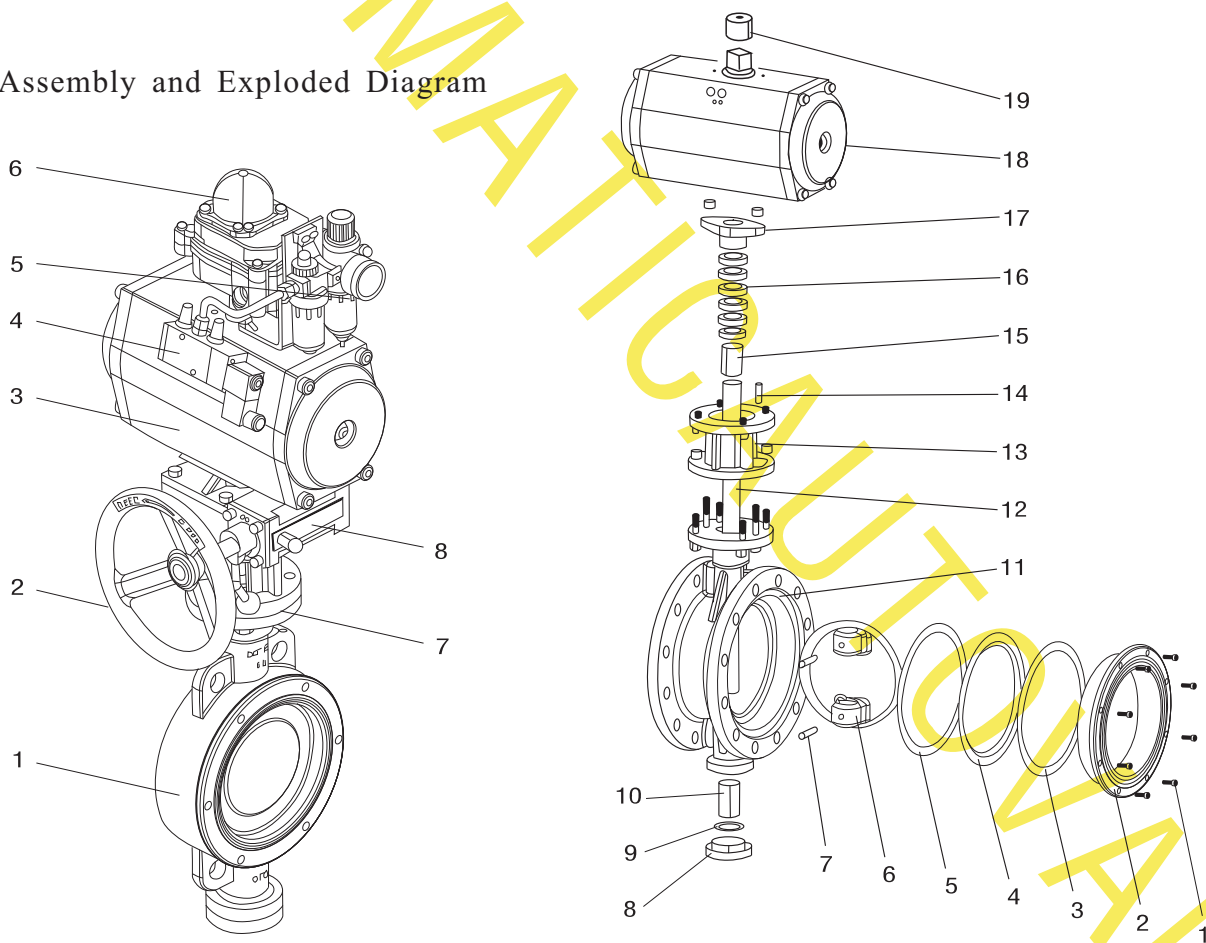


Q8102-125Cd II -QHS110



Q8102-150CdV02-QAS130◆B1

Assembly and Exploded Diagram



1. Ball Valve 2. Hand Wheel 3. Actuator
4. Solenoid Valve 5. Pneumatic Dual
6. Switch Box 7. Bracket
8. Manual Operating Structure

1. Internal Hexagon Nut 2. Valve Seat Cover
3. Gasket 1 4. Valve Seat 5. Gasket 2
6. Disc 7. Plug 8. Bottom Cap 9. Gasket 3
10. Packing 1 11. Valve Body 12. Valve Stem
13. Bracket 14. Key 15. Packing 2 16. Seal Ring
17. Packing Gland 18. Pneumatic Actuator
19. Valve Position Indicator

Q810-C Cast Steel, Q810-B Stainless Steel 2/2 Way Pneumatic Ball Valve (Open/Close or Adjusting Type)

Technical Data

- Applicable medium: non-freezing liquids, gas
- Medium temp: UPVC---I: -9~60°C CPVC---II: -9~95°C
 Cast Iron---II: -9~95°C III: -9~120°C
 Cast Steel---II: -9~95°C III: -9~120°C IV: -29~150°C V: -29~350°C
 Stainless Steel---II: -9~95°C III: -9~120°C IV: -29~150°C V: -29~450°C
 VI: -100~150°C
 Stainless Steel 321---VIII: -40~600°C
- Medium Pressure: PVC---1.0MPa
 Cast Steel, Stainless Steel Normal--- 1.0,1.6MPa,
 Special --- 0.6,2.5,4.0,6.4,8.0,10.0Mpa

Q810 Actuator Data Table

See page 81-99,QA,QH,QW series actuator data table

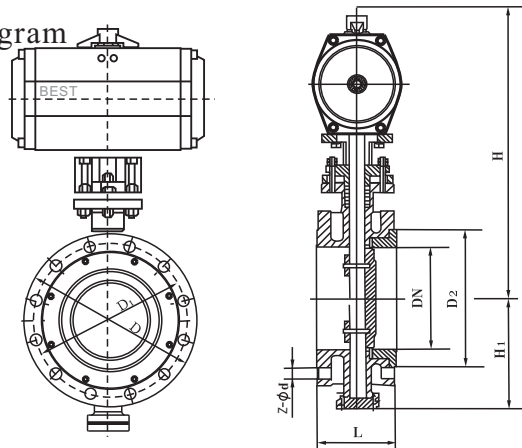
Dimension

Unit: mm

Dimension Diameter	Flanged (1.6/2.5/4.0MPa)												Dimension Diameter	Flanged (1.6/2.5/4.0MPa)																	
	L	H ₁	H	16bar			25bar			40bar				L	H ₁	H	16bar			25bar			40bar								
				D	D ₁	D ₂	Z-φd	D	D ₁	D ₂	Z-φd	D					D ₁	D ₂	Z-φd	D	D ₁	D ₂	Z-φd	D	D ₁	D ₂	Z-φd				
DN50	108	65	305	165	125	99	4-18	165	125	99	4-18	165	125	99	4-18	DN300	178	305	770	460	410	370	12-26	485	430	390	16-30	515	450	410	16-33
DN65	112	75	315	185	145	118	4-18	185	145	118	8-18	185	145	118	8-18	DN350	190	340	882	520	470	430	16-26	555	490	448	16-33	580	510	465	16-36
DN80	115	85	375	200	160	132	8-18	200	160	132	8-18	200	160	132	8-18	DN400	216	360	965	580	525	480	16-30	620	550	503	16-36	660	585	535	16-39
DN100	127	130	435	220	180	156	8-18	235	190	156	8-22	235	190	156	8-22	DN450	222	400	999	640	585	548	20-30	670	640	548	20-36	685	610	560	20-39
DN125	140	175	460	250	210	184	8-18	270	220	184	8-26	270	220	184	8-26	DN500	229	430	1058	715	650	609	20-33	730	660	609	20-36	755	670	615	20-42
DN150	140	190	545	285	240	211	8-22	300	250	211	8-26	300	250	211	8-26	DN600	267	490	1194	840	770	720	20-36	845	770	720	20-39	890	795	735	20-48
DN200	152	215	665	340	295	266	12-22	360	310	275	12-26	375	320	285	12-30	DN700	292	555	1250	910	840	794	24-36	960	875	820	24-42				
DN250	165	265	750	405	355	319	12-26	425	370	330	12-30	450	385	340	12-33	DN800	318	620	1362	1025	950	901	24-39	1085	990	928	24-48				

Note: The dimension of wafer type, please refer to page 60-61.

Structure Diagram



Q8102-100BdV-QHS110◆&

Special Configuration

Q810-◆: Switch Box (valve position signal output)	Q810-&: Manual Operating Device optional
Q810-F46/F4: F46/F4 lining Butterfly valve, suitable for strong acid/strong alkali	Q810-E: EPDM Seal, suitable for medium temp:-39~140°C