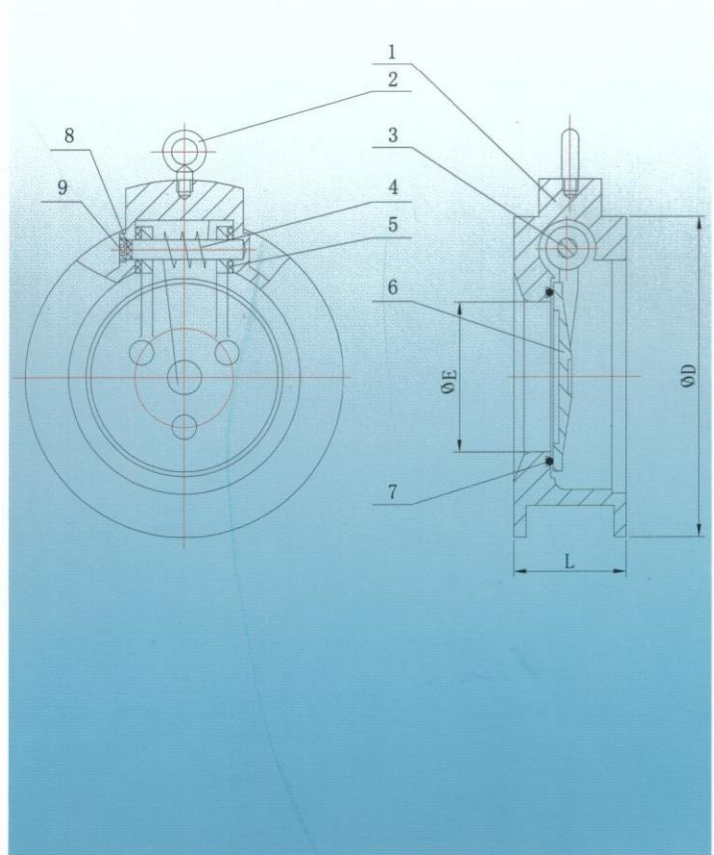


Wafer Type Single Disc Swing Check Valve



Description:

1. Working pressure: 1.0/1.6/2.5Mpa
2. Working temperature:
NBR: 0°C ~ +80°C
EPDM: -10°C ~ +120°C
VITON: -20°C ~ +180°C
3. Face to face: ANSI 125/150
4. Flange standards: EN1092-2, ANSI125/150 etc.
5. Testing: DIN3230, API598
6. Medium: Fresh Water, Sea water, food stuff, all kinds of oil, acid, alkaline liquid etc.

Material List:

NO.	Part	Material
1	Body	GG25/GGG40/SS304/SS316
2	Ring	Steel
3	Shaft	SS304/SS316
4	Spring	Stainless steel
5	Gasket	PTFE
6	Disc	WCB/SS304/SS316
7	Seat ring	NBR/EPDM/VITON
8	Gasket	NBR
9	Screw	Steel

Dimension:

DN(mm)	50	65	80	100	125	150	200	250	300	350	400	
L(mm)	44.5	47.6	50.8	57.2	63.5	69.9	73	79.4	85.7	108	108	
ΦE(mm)	33	43	52	76	95	118	163	194	241	266	318	
ΦD(mm) (EN1092-2)	PN10	107	127	142	162	192	218	273	328	378	438	489
	PN16									384	446	498