



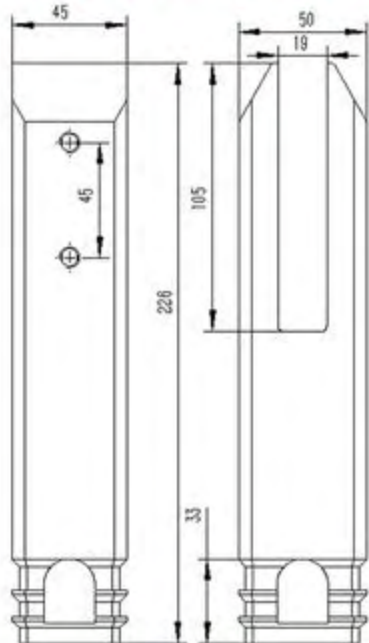
**东营拓进精密金属有限公司**  
Dongying Tousin Precision Metal Ltd

**Friction Spigot**     AISI316, AISI316L, Duplex 2205; Mirror Polish, Satin Polish



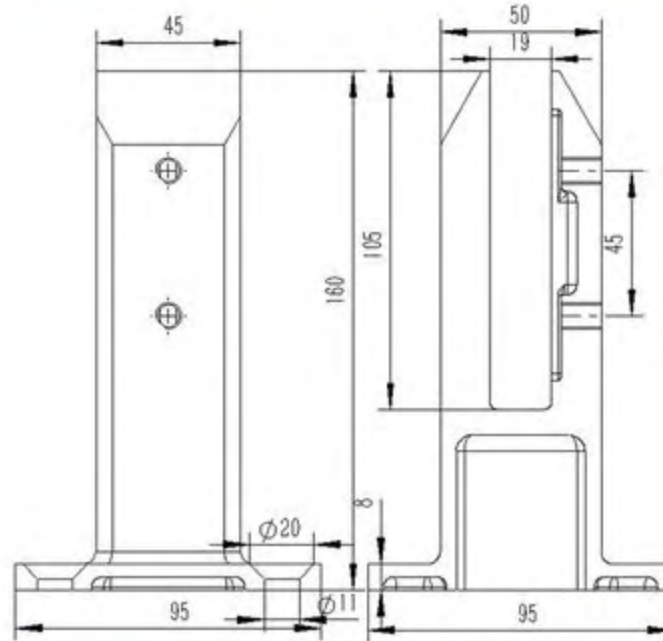
**CORE DRILLED SPIGOT**

Spigot Code: TM-FZ-01P (Mirror Polish Finish)  
                  TM-FZ-01S (Satin Polish Finish)  
Dress Ring: TM-SDR-01P (Mirror Polish Finish)  
                  TM-SDR-01S (Satin Polish Finish)



**BASE PLATED SPIGOT**

Spigot Code: TM-FDZ-01P (Mirror Polish Finish)  
                  TM-FDZ-01S (Satin Polish Finish)  
Domical Cover: TM-SDC-01P (Mirror Polish Finish)  
                  TM-SDC-01S (Satin Polish Finish)



**Advantages - Square Stainless Spigots**  
- Mirror / Satin Polish Finish - Core Drill and Base Plated - Duplex Stainless steel 2205  
- Contemporary square shape with minimal visible fixings - Many features allow easy glass installation





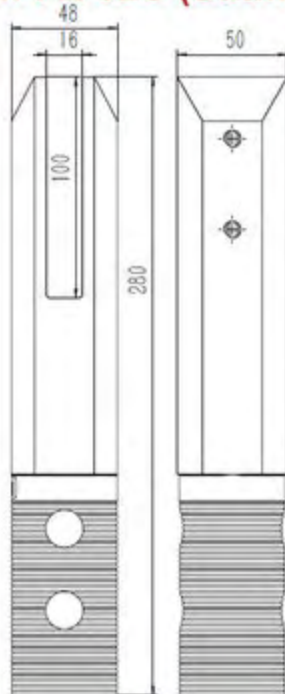
**东营拓进精密金属有限公司**  
Dongying Tousin Precision Metal Ltd

**Friction Spigot**     AISI316, AISI316L, Duplex 2205; Mirror Polish, Satin Polish



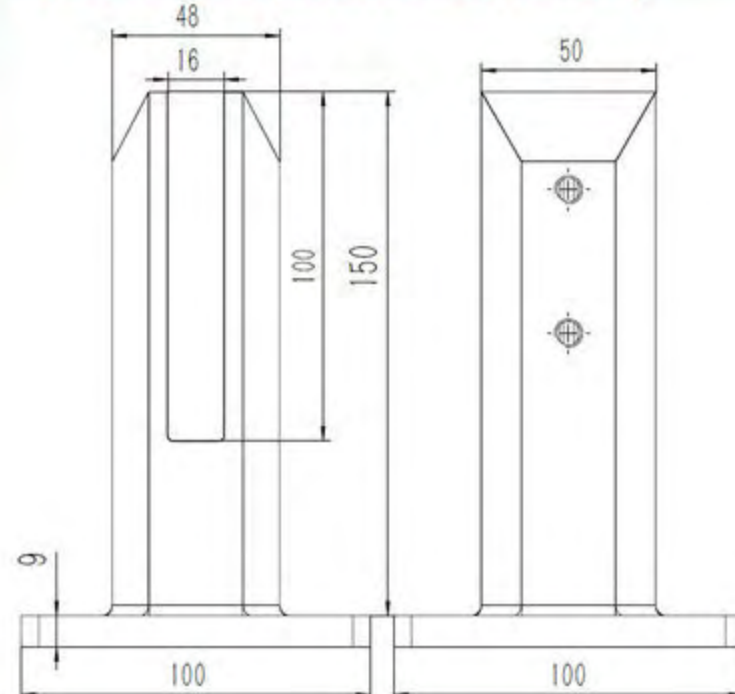
**CORE DRILLED SPIGOT**

Order Code: TM-FZ-02P (Mirror Polish Finish)  
TM-FZ-02S (Satin Polish Finish)



**BASE PLATED SPIGOT**

Order Code: TM-FDZ-02P (Mirror Polish Finish)  
TM-FDZ-02S (Satin Polish Finish)



**Advantages - Square Stainless Spigots**  
- Mirror / Satin Polish Finish - Core Drill and Base Plated - Duplex Stainless steel 2205  
- Contemporary square shape with minimal visible fixings - Many features allow easy glass installation





**东营拓进精密金属有限公司**  
Dongying Tousin Precision Metal Ltd

**Friction Spigot**     AISI316, AISI316L, Duplex 2205; Mirror Polish, Satin Polish

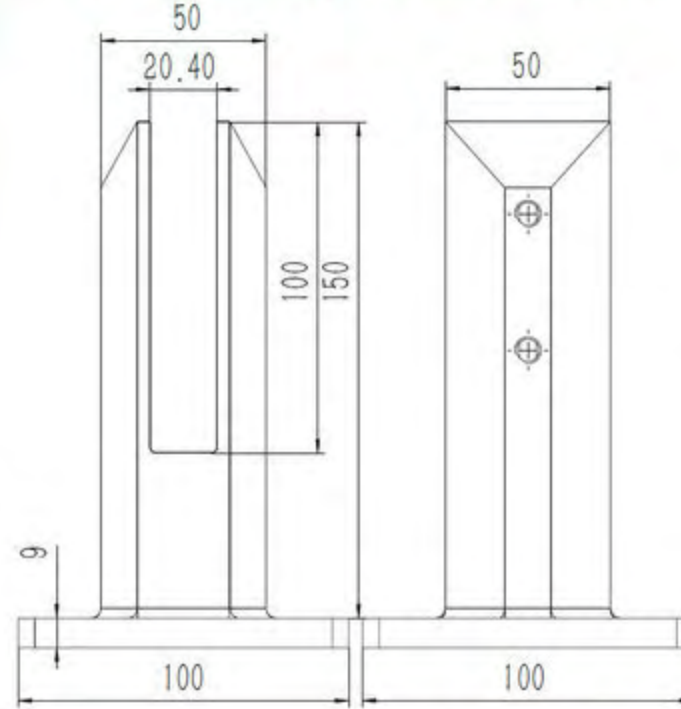
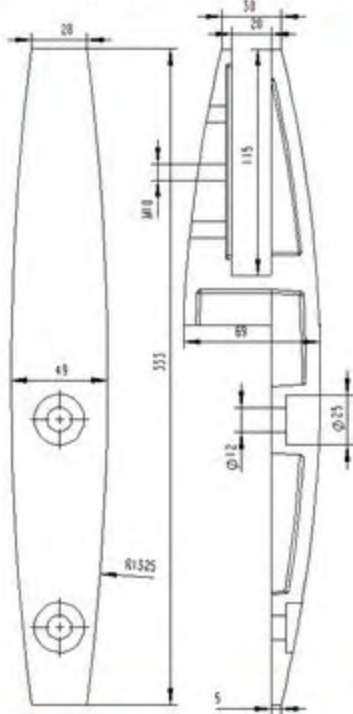


**CORE DRILLED SPIGOT**

Order Code: TM-FZ-03P (Mirror Polish Finish)  
TM-FZ-03S (Satin Polish Finish)

**BASE PLATED SPIGOT**

Order Code: TM-FDZ-03P (Mirror Polish Finish)  
TM-FDZ-03S (Satin Polish Finish)



**Advantages - Square Stainless Spigots**

- Mirror / Satin Polish Finish - Core Drill and Base Plated
- Duplex Stainless steel 2205
- Contemporary square shape with minimal visible fixings
- Many features allow easy glass installation





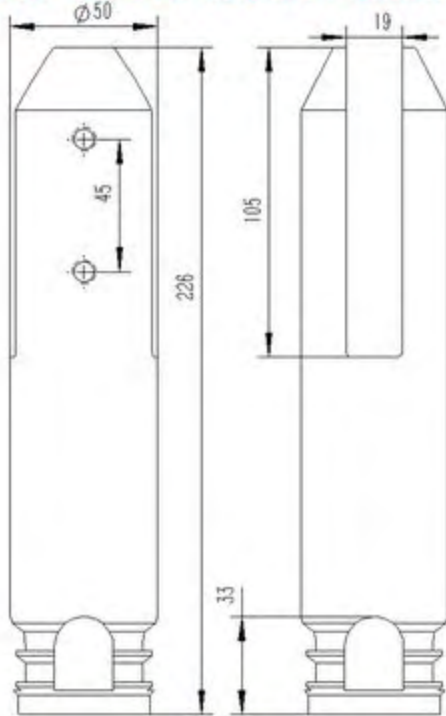
**东营拓进精密金属有限公司**  
Dongying Tousin Precision Metal Ltd

**Friction Spigot**     AISI316, AISI316L, Duplex 2205; Mirror Polish, Satin Polish



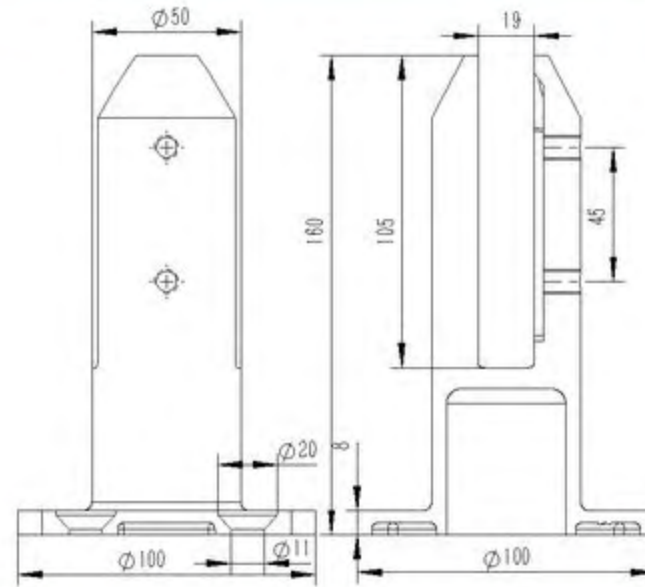
**CORE DRILLED SPIGOT**

Order Code: TM-YZ-01P (Mirror Polish Finish)  
TM-YZ-01S (Satin Polish Finish)



**BASE PLATED SPIGOT**

Order Code: TM-YDZ-01P (Mirror Polish Finish)  
TM-YDZ-01S (Satin Polish Finish)



**Advantages - Round Stainless Spigots**  
- Mirror / Satin Polish Finish - Core Drill and Base Plated - Duplex Stainless steel 2205  
- Contemporary round shape with minimal visible fixings - Many features allow easy glass installation

