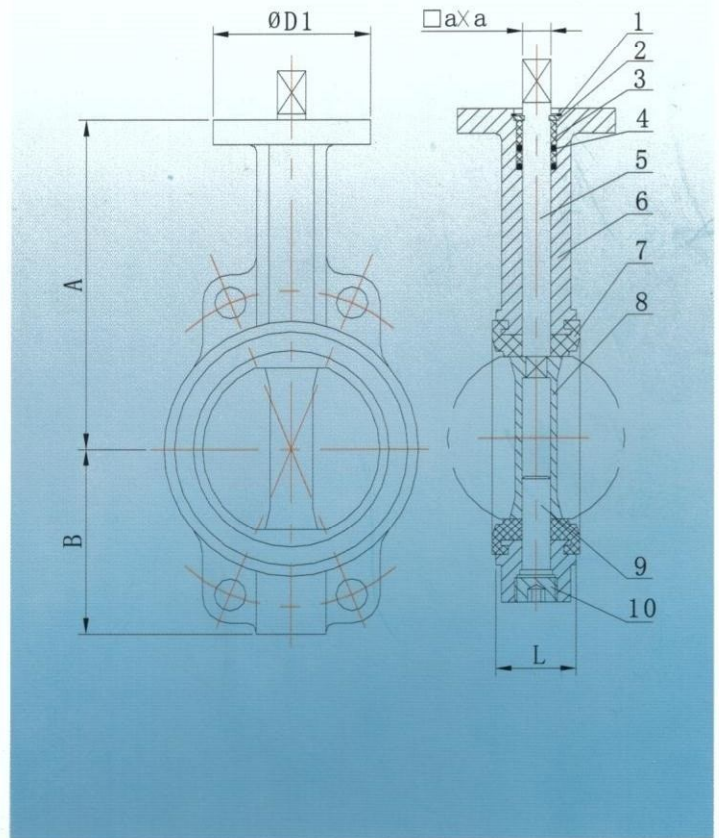


## Wafer Type Butterfly Valve



### Description:

1. Working pressure: 1.0/1.6Mpa
2. Working temperature:  
NBR: 0°C ~ +80°C  
EPDM: -10°C ~ +120°C
3. Face to face: DIN3202 K1
4. The flange can be as per: DIN2501 PN10/16, BS4504 PN10/16, BS10 TABLE D/E, JIS2220 10K/16K, ANSI 125/150.
5. Testing : DIN3230, API598
6. Medium: Fresh Water, Sea water, food stuff, all kinds of oil etc.

### Material List:

NO.	Part	Material
1	Circlip	65MN
2	Lock Piece	Steel
3	Sleeve	PTFE
4	O-ring	NBR
5	Shaft	SS304
6	Body	GG25/GGG40
7	Seat ring	NBR/EPDM
8	Disc	GGG40/SS304/SS316
9	Shaft	SS304
10	Screw	Steel

### Dimension:

DN(mm)	50	65	80	100	125	150	200	250	300
A (mm)	161	175	181	200	213	226	260	292	337
B (mm)	80	90	95	114	127	140	175	203	242
L(mm)	42	44	48	52	56	56	60	68	78
$\Phi D1$ (mm)	90	90	90	90	90	90	90	125	125
$\square a \times a$ (mm)	9×9	9×9	11×11	12×12	14×14	14×14	17×17	20×20	22×22