



Application

It can be widely used in wide range environments which required monitoring, e.g. river, forest, highroad, railway, airport, port, oil field, sentry, piazza, park, scenic zone, street, station, venue, parcel surrounding, and etc.

Order No.: WS-63BIRW-200(Wall Mount) WS-63BIRP-200(Ceiling Mount)

Product Introduction

1. IR Function

- 1) 9PCS high-power infrared light, turn divided into two groups , no flashlight effect , IR distance 100-120m.
- 2) Adopt the function of matching the IR to optical zoom of the module, make the image more clear.
- 3) Adopt constant current drive for the IR light, extend the life of the IR light.

2. System Function

- 1) Adopt high-performance 1/2.7" 2.0M Pixel CMOS OV2715 sensor, 2.0MegaPixels, resolution achieve 1920x1080.
- 2) Precision motor-driven, keen responsive, smoothly operation, the precision deviation less than 0.1 degree, the image does not have any vibration under any speed.
- 3) Support Hikvision 3D intelligent positioning function, can realize tracking and zooming out function when work with DVR.
- 4) Support data not lost when power off.
- 5) Support graphic menu, operation prompt facility, PTZ position display.
- 6) Adopt advanced Heating equipment.
- 7) Support Protocol automatically diagnosis(Pelco-D, Pelco-P, Hikvision, Dahua), Baud rate automatically adjust 2400bps, 4800bps, 9600bps.
- 8) Support lightning protection, anti-surge, anti-surge function, IP66.

3. Zoom module function

- 1) 18X optical zoom, out-band auto focus performance, F1.6~F2.8 Iris.
- 2) Support auto iris, electronic shutter, auto white balance and black compensation
- 3) Support low illumination, 0.05Lux/F1.4(color), 0.01Lux/F1.4(white), 0 Lux with IR
- 4) Support 3D digital noise reduction, digital WDR function.
- 5) Effective pixels 2.0 million pixels (1080P)

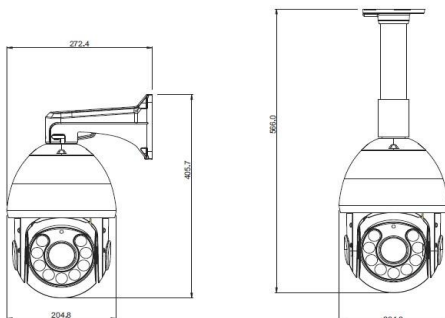
4. Network function

- 1) Adopt high-performance Hisilicon platform, stable and reliable performance.
- 2) Via IE browser and client software to view the image and control it.
- 3) Support dual-stream, H.264/MJPEG, multi-level video quality configuration, and real-time vide output 1080P.
- 4) Support self-adaptive 10/100m and multi-protocols:
HTTP/HTTPS/RTSP/FTP/PPPoE/TCP/IP/DHCP/DDNS/NTP/UPnP/FTP

5. PTZ control

- 1) 220°endless pan range and 75°tilt range, support auto-flip, non-surveillance blind area
- 2) Pan control speed 0.6°~220°/s, tilt control speed 0.8~75°/s
- 3) Support 220 preset, 8 patrols, each patrol can contain up to 32 presets
- 4) 4 patterns, can totally record up to 10 minus.

Product Dimension(mm)



Technical Specification

| Model No. | WS-63BIRW/P-200 | |
|---------------------|------------------------------|--|
| | Image Sensor | 1/2.7" 2.0M Pixel CMOS OV2715 |
| | Effective Pixel | 2.0 Megapixel |
| | Frame Rate | 50HZ: 25fps(1280 x 720);60Hz: 30fps(1920 x 1080) |
| | Minimum illumination | Color: 0.0.5Lux @ (F1.6, AGC ON), B/W: 0.0005Lux @ (F1.6, AGC ON), 0 Lux with IR |
| | Horizontal Resolution | Above 1800TVL |
| | White Balance | Auto / Mnual / Auto-Tracking / Outdoor / Indoor / fluorescent lamp / sodium lamp |
| | Gain Control | Auto / Manual |
| | Image | Overturn / Mirror |
| | Snow Shutter | Support |
| | Snow exposal | Support |
| | Exposure Mode | Auto / Manual |
| | S/N | Above 50dB (AGC OFF, Weight ON) |
| | Noise Grade | 0/1/2/3/4/5 |
| Zoom Module | BLC | ON/OFF |
| | Iris Control | Manual / Auto |
| | Electronic Shutter | 1/1 - 1/30,000s |
| | Scan system | Progressive Scanning |
| | Synchronization | Inner-synchronization |
| | Day/Night Mode | Support Auto ICR color to black |
| | Focus Mode | Auto/Manual/One time auto focus |
| | Focus Control | Auto/Manual |
| | Focus Speed | 3S(optical, wide-tele) |
| | Lens Intiaiztion | Built - in |
| | Optical Zoom | 4.7 - 84.6mm, 18x optical |
| | Min Focus distance | 100mm - 1000mm |
| | Horizontal Range | 68.5 ° - 4.2° |
| | F-Number | F1.2 - F2.8 |
| | IR Distance | 100-120M |
| | IR Angle | Three group angle adjustable to zoom module |
| | Pan Speed | 0.6° - 120°/s |
| | Tilt Speed | 0.8° - 75°/s |
| | Tilt Range | 0 - 90°, auto - flip 180° |
| | Manual Speed | High, Medium, low(adjustable) |
| Function | Proportional Zoom | Support |
| | Number of Preset | 220 |
| | Parol | 8, each patrol can add 32 preset |
| | Track Scan | 4 group, each group can record 100 action |
| | Scan between two presets | Support |
| | Park Action | Support |
| | Area - Limit | Support |
| | Max.image size | 1920 x 1080 |
| | Video Compression | H.264/MJPEG |
| | Network Protocol | IPv4 / IPv6 / HTTP / HTTPS / 802.1 / Qos / FTP / SMTP /UPnP / SNMP / DNS / DDNS / NTP / RTSP / RTP / TCP/IP / DHCP / PPPoE |
| | Dual Stream | Supoprt |
| Network | User Premission | Max.32 users(3 level: administrator, operator, only browser) |
| | Safe mode | Authorized ID and Password |
| | Network Interface | Built - in RJ45 port, Support 10M/100M |
| | Mobile | Support Android, IOS smart phone |
| | Client | HCMS |
| | Business Function | Support WEB configure, support OSB, support real-time video transfer, consinuous motion, support JPEG screen-shot, support remote access platform by client software |
| Input/Output | Menu | English |
| | PTZ Control Protocol | IP Protocol |
| | Power Supply | DC12V/4A |
| | Power Consumption | MAX.10W(Day) ; MAX.30W(Night) |
| Others | Working Temperature/Humidity | -20°C - +60°C, Below 90%RH(frostless) |
| | Protection Grade | TVS3000V Lightning Protection, Surge Protection and Voltage Transient Protection, Weather Proof IP66 |
| | Package Size(mm) | 300mm x 300mm x 470mm |
| | Weight(kg) | 6.5kg |

Product specification are subject to change without notice