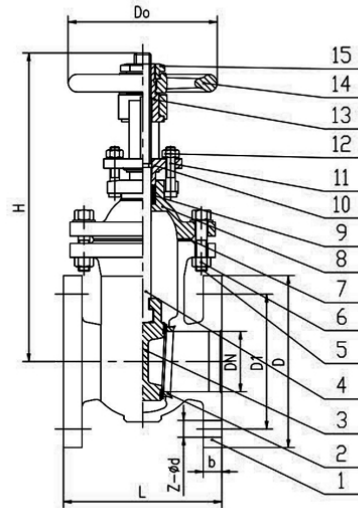


BS CAST IRON RISING STEM, METAL SEATED GATE VALVE, BS5163

BS10-TABLE-D



MATERIALS		
ITEM	PARTS NAME	MATERIAL
1	BODY	CAST IRON
2	SEAT	BRASS
3	WEDGE DISC	CAST IRON+BRASS
4	STEM	STAINLESS STEEL
5	BOLT	CARBON STEEL
6	NUT	CARBON STEEL
7	GASKET	GRAPHITE
8	BONNET	CAST IRON
9	PACKING	GRAPHITE
10	GLAND	CAST IRON
11	BOLT	CARBON STEEL
12	NUT	CARBON STEEL
13	STEM NUT	BRASS
14	HANDWHEEL	CAST IRON
15	CLOCK NUT	CAST IRON

DESCRIPTION:

Available Medium: T-water, Steam, W-Petroleum Products

Working Temperature: T-≦200℃, W-≦100℃

Face to Face Dimensions: BS5163

Flange Dimensions: BS10-Table-D

DIMENSIONS(mm)							
DN	L	D	D1	H	b	Z-φd	D0
50	178	152	114	365	20	4-17.5	180
65	190	165	127	418	20	4-17.5	180
80	203	185	146	472	22	4-17.5	200
100	229	216	177.8	550	22	4-17.5	200
125	254	254	209.5	660	24	8-17.5	240
150	267	280	235	738	24	8-17.5	240
200	292	336	292	975	26	8-17.5	320
250	330	406	355.5	1128	28	8-22	320
300	356	457	406.5	1335	28	12-22	400