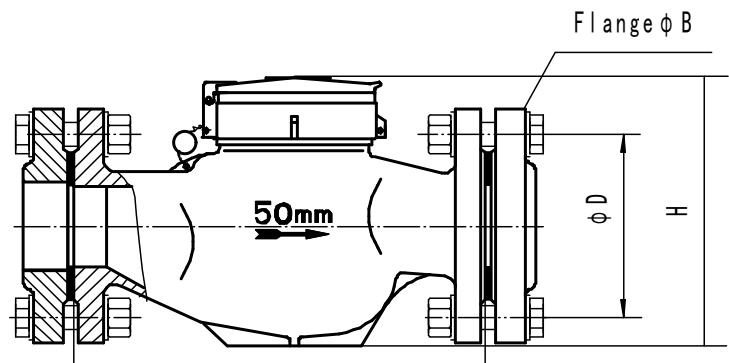
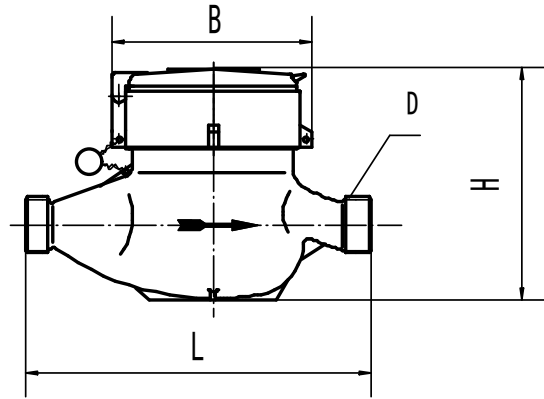


LXS-15E~50E Multi-jet, Vane Wheel, Wet-Dial Water Meter (page1/2)



Feature :

Accurate measurement , easy reading ,safe and sanitary ,long working life ,etc ...

Application :

Measuring the volume of cold portable water passing through the pipeline

Note :

Technical data conform to international Standard ISO4064 Class B

Working condition :

a) Water temperature 0.1°C~40°C

b) Water pressure ≤1.0MPa

Maximum permissible error :

a) In the lower zone from q_{min} inclusive up to but excluding q_t is ±5%

b) In the upper zone from q_t inclusive up to and including q_s is ±2%

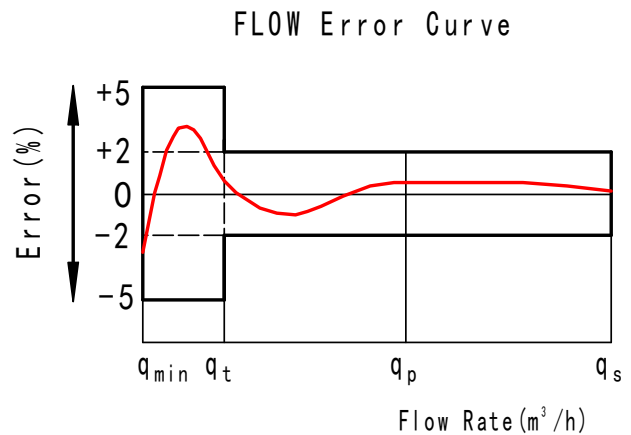
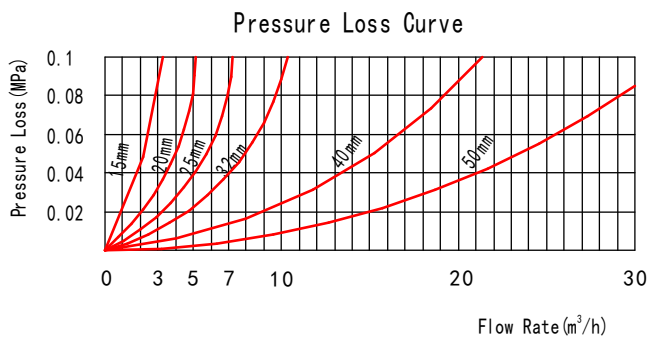
MAIN TECHNICAL SPECIFICATIONS

Type	Size (mm)	Class	q_s	q_p	q_t	q_{min}	Minimum Reading	Maximum Reading
			Overload Flow	Permanent Flow	Transitional Flow	Minimum Flow		
			m ³ /h		L / h		m ³	
LXS - 15E	15	B	3	1.5	120	30	0.00005	99,999
LXS - 20E	20	B	5	2.5	200	50	0.00005	99,999
LXS - 25E	25	B	7	3.5	280	70	0.00005	99,999
LXS - 32E	32	B	12	6.0	480	120	0.00005	99,999
LXS - 40E	40	B	20	10.0	800	200	0.00005	99,999
LXS - 50E	50	B	30	15.0	3000	450	0.00005	99,999

LXS-15E~50E Multi-jet, Vane Wheel, Wet-Dial Water Meter (page 2/2)

DIMENSION

Type	Size	Length L	Width W	Height H	Connecting Thread D (in)
	mm				
LXS - 15E	15	165	98	107.5	G 3/4B
LXS - 20E	20	190/195	98	109	G1B
LXS - 25E	25	225/260	103.5	115	G1 1/4B
LXS - 32E	32	230/260	103.5	115	G1 1/2B
LXS - 40E	40	300	125	156	G2B
LXS - 50E	50	300	125	156	G2 1/2B
		280	165	181	Flange connect ISO7005-2:1988 ϕ D=125



LXS-15E~50E MULTI-JET, VANE WHEEL, WET-DIAL WATER METER

Code	Description	Material	QTY
1	Lid	HDPE	1
2	Hinge Pin	Brass	1
3	Cap	Brass	1
4	Sliding Gasket	PP	1
5	Glass	Tempered Glass	1
6	Tightening Gasket	Rubber	1
7	Register Fixing Ring	HIPS	1
8	Register	Assembly	1
9	Gearing box	HIPS	1
10	Turbine Component	Component	1
11	Measuring Chamber	HIPS	1
12	Bottom Strainer	LDPE	1
13	Body	Brass	1
14	Coupling Gasket	Rubber	2
15	Coupling Tail Piece	Brass	2
16	Coupling Nut	Brass	2

