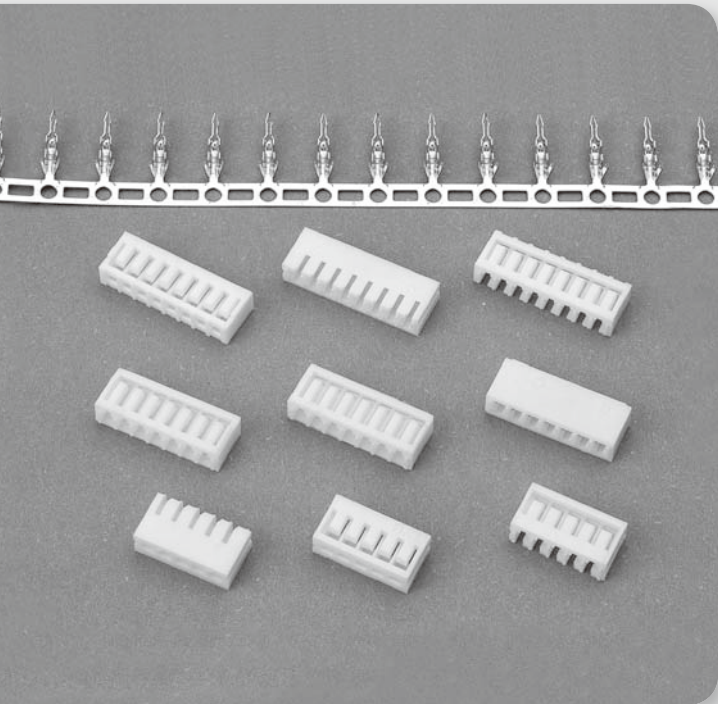


2.00mm (.079") Crimp Style Board-In Connectors



Specifications

- Voltage Rating : 250V AC/DC
- Current Rating : 2A AC/DC
- Withstanding Voltage : 800V AC/minute
- Insulation Resistance : 1,000MΩ min.
- Temperature Range : -25°C to + 85°C
- Contact Resistance : 20mΩ max.

Features:

■ HOUSING

Part No. : JS-1130-XX

JS-1130R-XX

Poles : 2 - 16

Material : Nylon 66 UL94V-0

Q,ty : 1,000 pcs/Bag

■ TERMINAL

Part No. : JS-1130-TP

JS-1130R-TP

Applicable Wires : AWG# 24 - 30

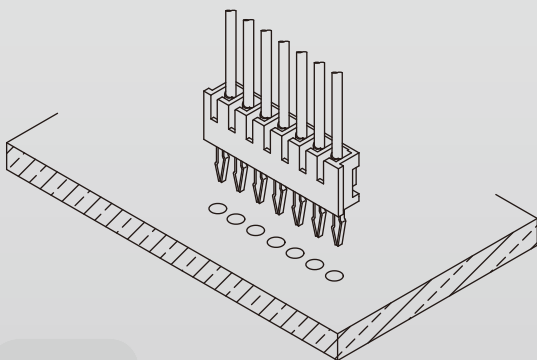
Material : Brass, Phos. Bronze

Finish : Pre-Stamping / Tin Plated

Thickness : 0.2mm

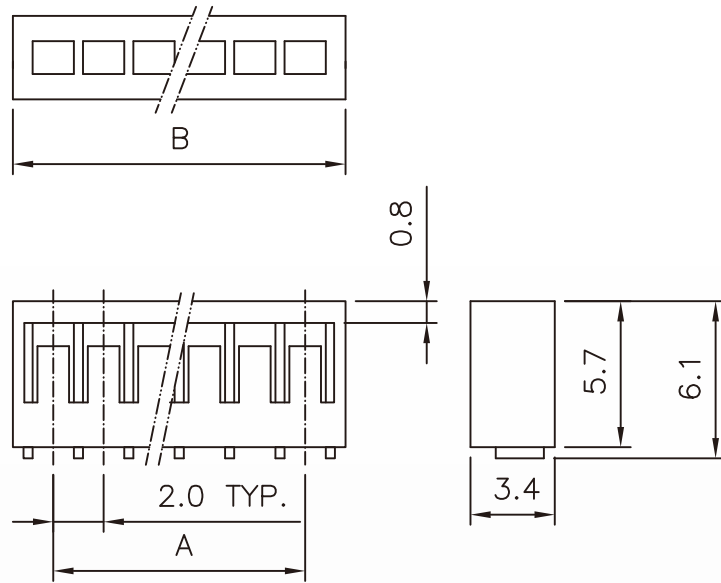
Q,ty : 15,000 pcs./Reel (For JS-1130R-TP)

10,000 pcs./Reel (For JS-1130-TP)



2.00mm (.079") Crimp Style Board-In Connectors

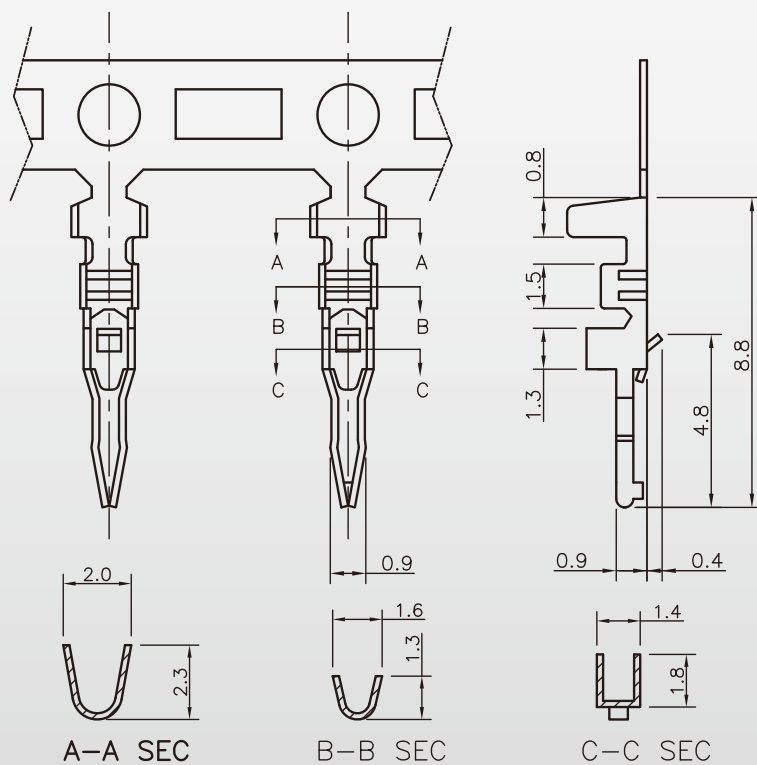
Housing - Straight JS-1130



Poles	Part No.		Dimensions (mm)	
	JS-1130	JS-1130R	A	B
2	JS-1130-02	JS-1130R-02	2.00	5.20
3	JS-1130-03	JS-1130R-03	4.00	7.20
4	JS-1130-04	JS-1130R-04	6.00	9.20
5	JS-1130-05	JS-1130R-05	8.00	11.20
6	JS-1130-06	JS-1130R-06	10.00	13.20
7	JS-1130-07	JS-1130R-07	12.00	15.20
8	JS-1130-08	JS-1130R-08	14.00	17.20
9	JS-1130-09	JS-1130R-09	16.00	19.20

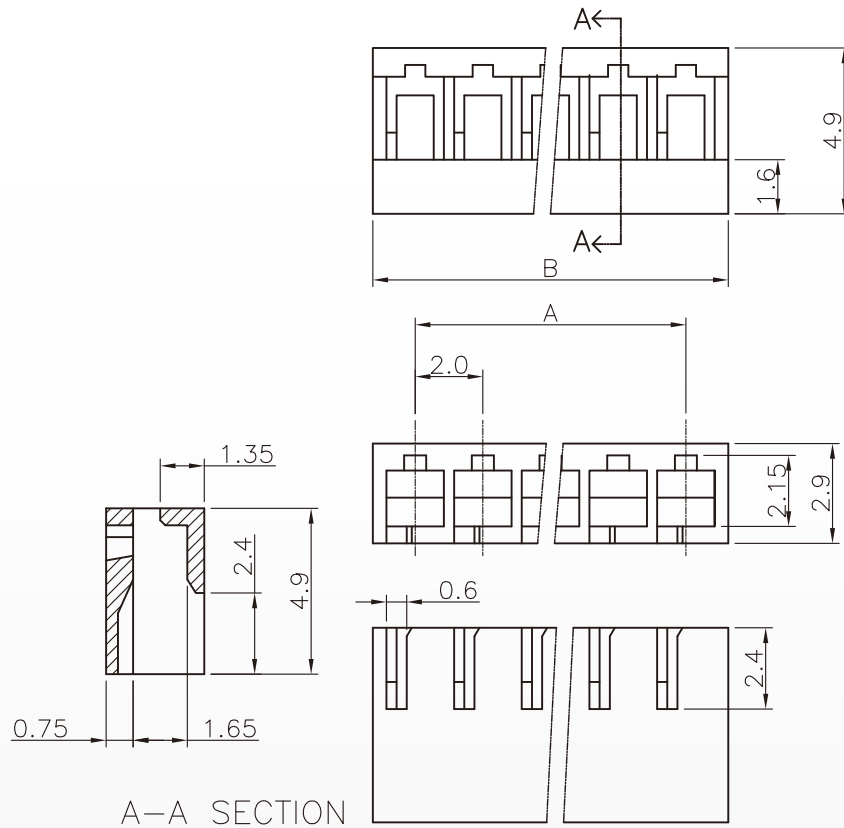
Poles	Part No.		Dimensions (mm)	
	JS-1130	JS-1130R	A	B
10	JS-1130-10	JS-1130R-10	18.00	21.20
11	JS-1130-11	JS-1130R-11	20.00	23.20
12	JS-1130-12	JS-1130R-12	22.00	25.20
13	JS-1130-13	JS-1130R-13	24.00	27.20
14	JS-1130-14	JS-1130R-14	26.00	29.20
15	JS-1130-15	JS-1130R-15	28.00	31.20
16	JS-1130-16	JS-1130R-16	30.00	33.20

Terminal - Straight JS-1130-TP



2.00mm (.079") Crimp Style Board-In Connectors

Housing - Right Angle JS-1130R



Terminal - Right Angle JS-1130R-TP

