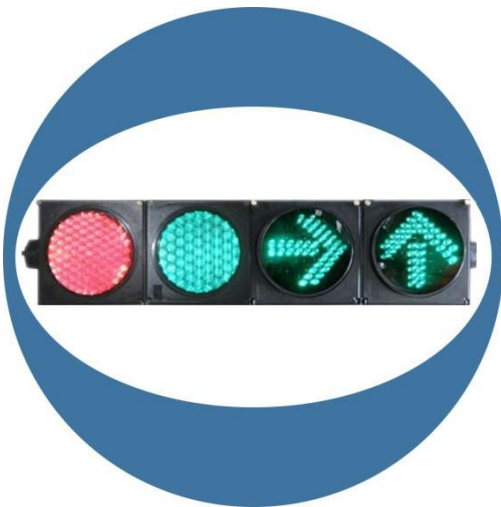


Dia.200mm Red,Green Ball and Left,Right Green Arrow with Cobweb Lens

LED Traffic Light

	<p>Model: JD200-3-45ACL</p> <p>Keyword: Red Green ball & Green arrow Traffic Light,Cobweb lens Traffic Light</p> <p>Application: Red Green ball & Green arrow Traffic Light is widely used in Vehicle Road,Railway,at Cross road lot to indicate whether Vehicles can go or not.</p> <p>Strengths: Save energy worldwide and thus save costs by offering a series of energy-saving and efficient LED traffic lights with first-rate quality yet affordable price.</p>
---	---

Technical Parameters:

Color	LED Q.ty	Light Intensity	Wave Length	Power Factor	Viewing Angle	Power	Working Voltage	Housing Material
RED BALL	61pcs	≥305cd	625±5nm	>0.9	30°	≤3W	85V-265VAC, 50/60HZ; 12/24VDC	PC,UV Resistant
Green BALL	61pcs	≥488cd	505±5nm			≤5W		
FORWARD GREEN	36pcs	≥180cd	505±5nm			≤3W		
RIGHT GREEN ARROW	36pcs	≥288cd	505±5nm			≤3W		

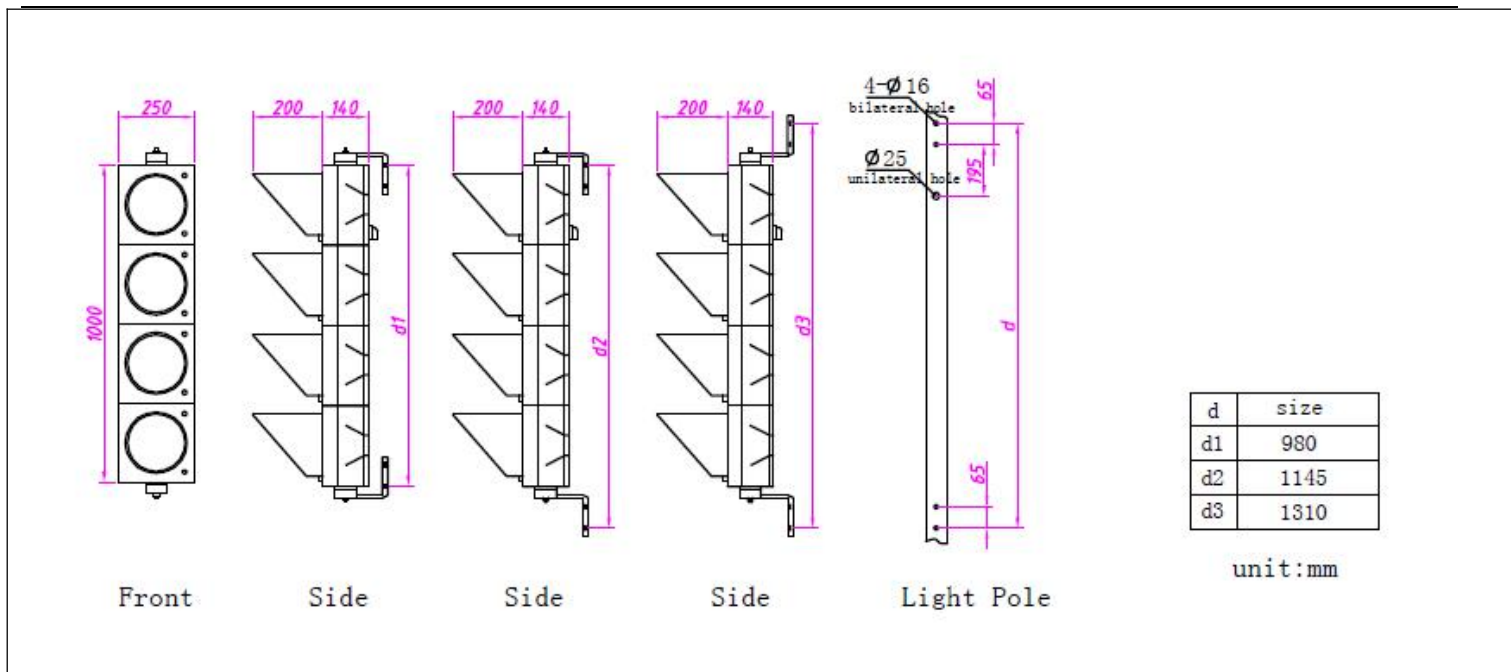
Packing Info:

Carton Size	Q'TY	GW	NW	Wrapper	Volume(CBM)
117*28*21cm	1pcs/carton	13.76kg	9kg	K=K Carton	0.07

Packing List:

Part name	Light	L Bracket	Sun Visor	M4x10 Screw	M4x20 Screw	Wiring Box And Gasket	Using Manual	Certificate
Q'ty.(pcs)	1	2	4	16	4	1	1	1

Installation Sketch:



Terminal Connection Sketch:

