

POS Printer

Welcome to **SPRT!**

We offer receipt printers to meet your requirement!

Offer the **High quality** products and **professional service** for you!





SP-POS88V



SP-POS88VI

POS Receipt Printer Specification

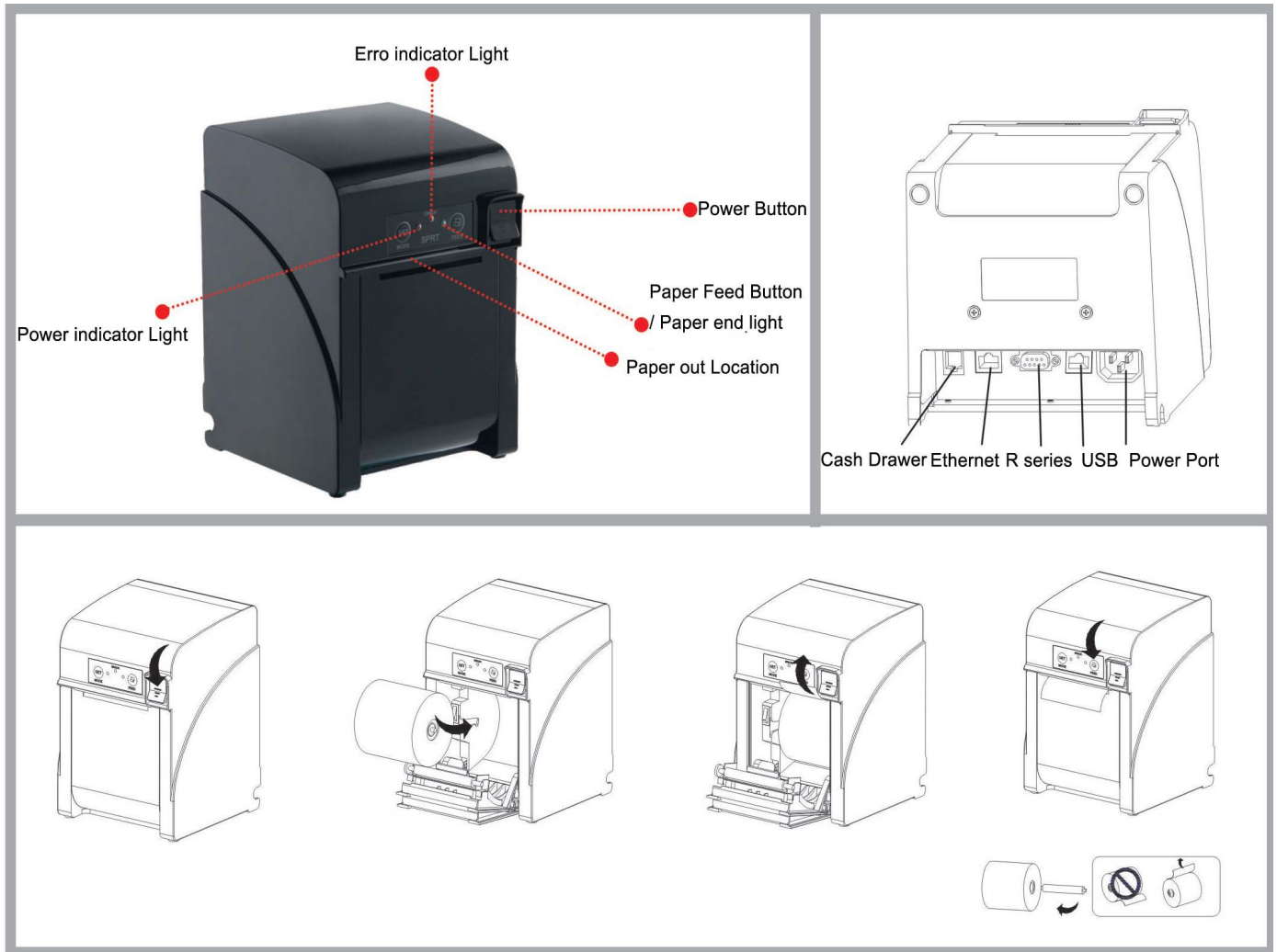
Model No.		SPRT POS901
Features: Oil, water, dust proof; High-quality thermal printer special design for kitchen condition; Flexible installation on countertop or wall using optional bracket; Optional kitchen buzzer alert		 
Print	Printing Method	Thermal Line
	Printing Speed	250mm/s
	Resolution	8 dots/mm, 576 dots/line
	Effective Printing Width	72mm
Character	Character Set	ASCII, GB18030(Chinese),BIG5
	Print Font	Codepage, ANK: 12 x24 Chinese: 24 x 24
	Character per Line	42
Paper Spec	Paper Type	Thermal paper
	Paper Width	79.5± 0.5mm
	Paper Roll Diameter	Max: 80.0mm
	Roll Core Inner Diameter	13mm(min.)
	Paper Thickness	0.06~0.08mm
Ribbon Cassette		N/A
Paper Supply Method		Drop-in easy paper loading
Printer Mechanism		Seiko Brand
Reliability	MCBF(MCBF) Mean Cycles Between Failure	60 million lines
	TPH	100km
Barcode		UPC-A, UPC-E, EAN-13, EAN-8, CODE39, ITF25, CODEBAR, CODE93, CODE128
Emulation		ESC/POS
Driver		Windows98/2000/NT/XP/Vista/Win7
Sensor		Paper End Sensor
Drawer Port		1 Port
Interface		RS232+USB+Ethernet all in one
Power Supply (Adapter)		AC100 ~240V ± 10%(include) DC 24V, 2A

Auto cutter	Type	Guillotine
	Life	1,000,000 cuts
	Cutting Method	Partial cut
Physical	Net Weight	1.89kg
	Gross Weight	3.0kg
	Printer Dimension (WxLxH)	160 x156 x 210 mm
	Color	Black/Red
Environment	Operating Temp	0~ 50 °C
	Storage Temp	-20~60°C
	Operating Humidity	10~80%
	Storage Humidity	10~90%
Other features		Memory printing, paper end sensor, overheating protection.

Description:

POS901 printer is a new type line thermal printer, it features in fast speed print, low print noise, high reliability, perfect print quality and ribbon needless, avoiding the vexation of regular maintenance.

POS901 printer can well support Automatic memory printing, Paper cover and cutter error being detected, Printing speed setting, Anti-electromagnetic interference level 3, Overheating Protection



Application Area:

This is POS/Desktop printer which has more reliable capability, more steady printing and multi-interface support advantages. The POS printer can work on a lot of locations, such Built with wall bucket, buzzer and flash lamp, more suitable for Restaurants and Kitchen environment, and another industries. SPRT POS printer can well support the Java POS, ESC/POS, OPOS application.

JAVAPOS™ ESC/POS™ OPOS™ 

Packing Details

1x thermal receipt printer
1x thermal paper roll
1x power adaptor
1x power cable
1x interface cable

Inner Package (WxLxH) 270*270*190mm
Outer Package (WxLxH) 580*580*350mm (8 units) per Standard Carton



Power adaptor for option:

- *British Standard
- *American Standard
- *European Standard
- *Chinese Standard



Warranty:

SPRT company offer the warranty as bellow:
For whole SPRT printer, 12 months upon delivery normally.
Some designated models can offer 24 months warranty.



WE SINCERELY LOOK FORWARD TO YOUR JOINING!