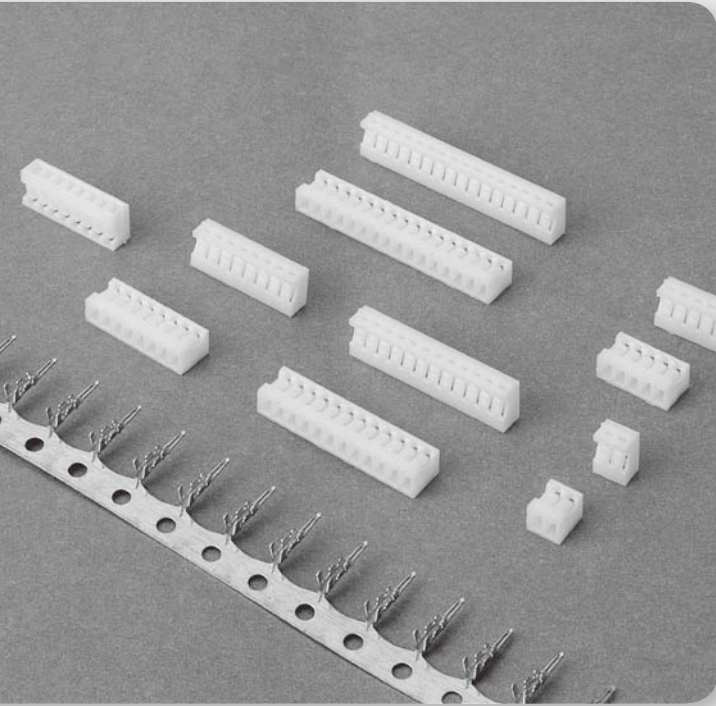


1.25mm (.049") Crimp Style Board-In Connectors

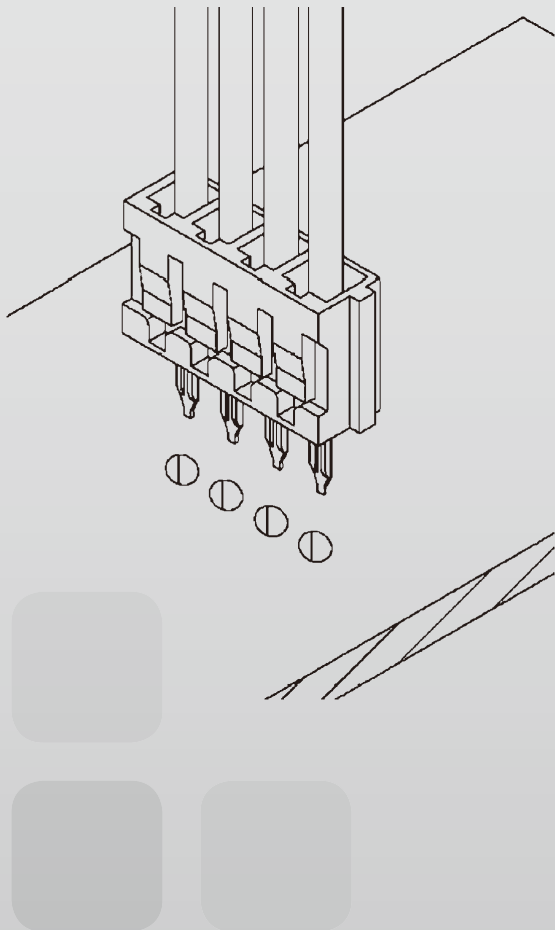


Specifications

- Voltage Rating : 125V AC/DC
- Current Rating : 1A AC/DC
- Withstanding Voltage : 250V AC/minute
- Insulation Resistance : 100M Ω min.
- Temperature Range : -25°C to + 85°C
- Contact Resistance : 20m Ω max.

Features:

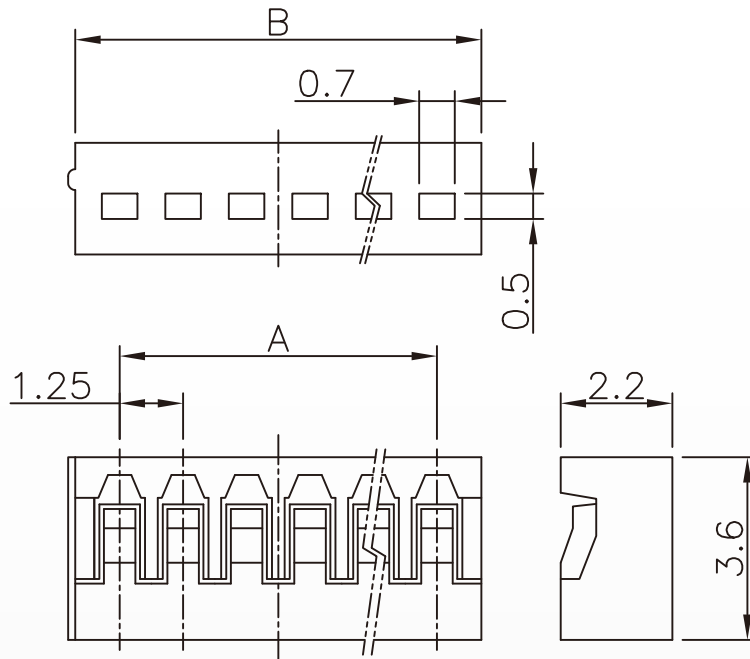
- HOUSING
Part No. : JS-1252-XX
Poles : 2 - 15
Material : Nylon 66 UL94V-0
Q'ty : 1,000 pcs/Bag
- TERMINAL
Part No. : JS-1252-T
Applicable Wires : AWG# 28 - 32
Material : Phos. Bronze
Finish : Tin Plated
Thickness : 0.15mm
Q'ty : 15,000 pcs/Reel



1.25mm (.049") Crimp Style Board-In Connectors

Housing

JS-1252



Poles	Part No.	Dimensions (mm)	
	JS-1252	A	B
2	JS-1252-02	1.25	3.00
3	JS-1252-03	2.50	4.25
4	JS-1252-04	3.75	5.50
5	JS-1252-05	5.00	6.75
6	JS-1252-06	6.25	8.00
7	JS-1252-07	7.50	9.25
8	JS-1252-08	8.75	10.50

Poles	Part No.	Dimensions (mm)	
	JS-1252	A	B
9	JS-1252-09	10.00	11.75
10	JS-1252-10	11.25	13.00
11	JS-1252-11	12.50	14.25
12	JS-1252-12	13.75	15.50
13	JS-1252-13	15.00	16.75
14	JS-1252-14	16.25	18.00
15	JS-1252-15	17.50	19.25

Terminal

JS-1252-T

