

2.4 / 5 GHz Dual-Band Antenna for IEEE 802.11 WLAN System



Model No.

AN2450-86H01RS

Application

- IEEE 802.11 WLAN System
- Wireless Communication System
- Wi-Fi / WLAN / MIMO / Bluetooth System

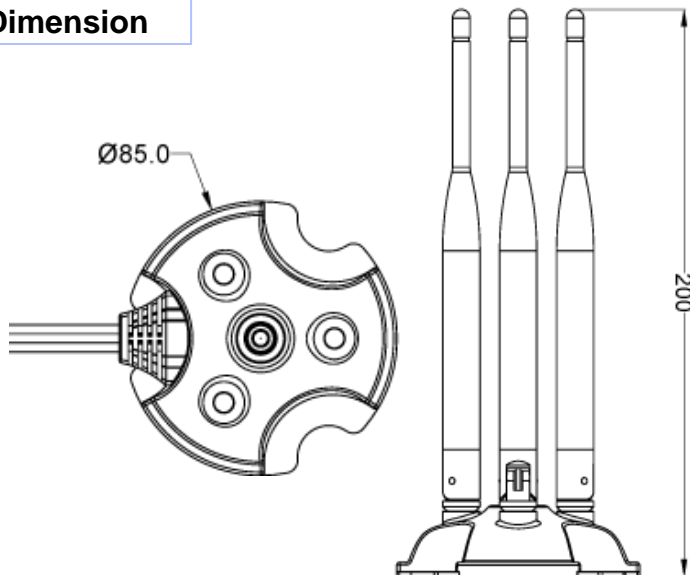
Features

- RoHS Compliant
- Low V.S.W.R. / Low Loss Design / High Gain
- High Efficiency and Sensitivity
- Low Loss RF Coaxial Connector Cable Feed
- Matching Free Design

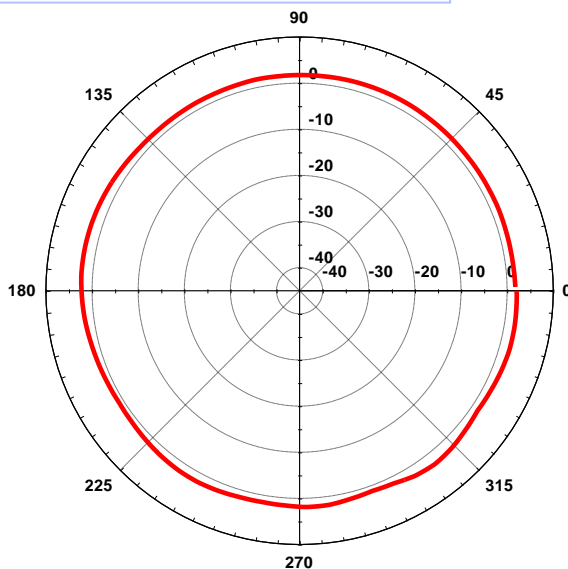
Specification

- Freq. : 2400 - 2500 & 4900 - 5900 MHz
- S.W.R. : ≤ 2.5
- Gain : 2 & 1 dBi (* Typical *)
- Radiation Pattern : Omni-Directional
- Connector : SMA / TNC / BNC / FME

Dimension



H-Plane Radiation Pattern



E-Plane Radiation Pattern

