
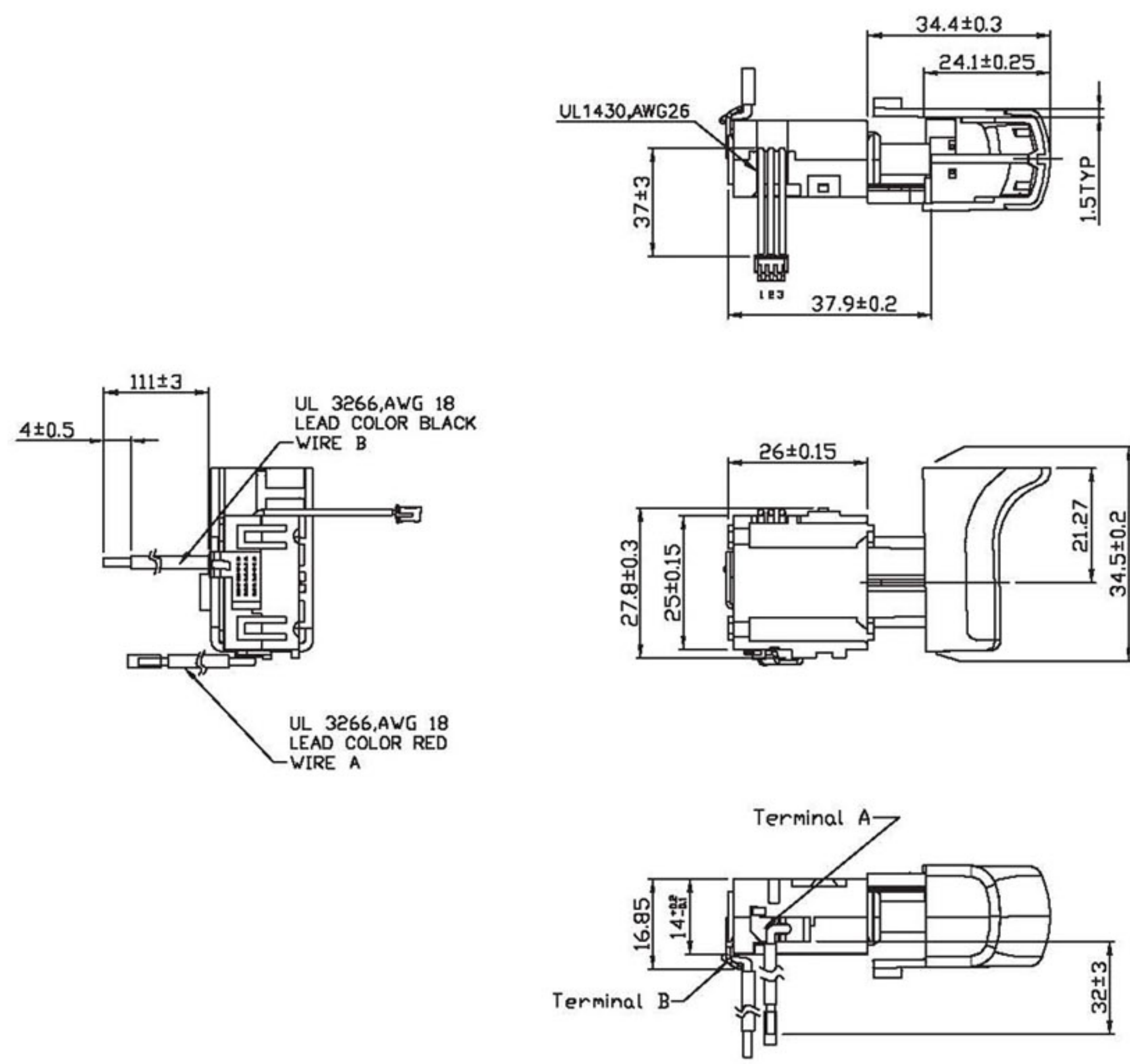


- ▶ Rating : 15A , 24 VDC  (UL Approval)
- ▶ Initial contact resistance : 10 mΩ (main contact , max)
- ▶ Insulation resistance : 100MΩ (min) , 500VDC
- ▶ Withstand voltage : Please reference test specification-3.3
- ▶ Life test of switch : over 100,000 cycles
- ▶ Operation force of switch body :
 "ON" position : 12.5 ± 3N
 END of Travel : 22 ± 3N
- ▶ Material used must be comply with BQI-0555.
- ▶ Color of switch body : black
- ▶ Color of trigger : grey / plastic , dark grey / rubber
- ▶ Unit weight : 21 ± 2 g
- ▶ The characteristics marked with () * are critical ones.
- ▶ There are 18 symbols () * on this drawing.
- ▶ Customer part No. : 760468014-01 (For TTI)
- ▶ Pull out force : (between CONNECTOR and PIN of PCB)
 ≥ 0.6kg-f after 30 cycles of installation & withdrawal,
 Or
 ≥ 1.0kg-f after 1 cycle of installation & withdrawal.

Dimensions in mm



CONNECTOR, TERMINAL
 HUA YA PLASTIC & METAL Co. LTD.
 CONNECTOR P/N : A1500H30
 TERMINAL P/N : A1500THP200

