

YG705 electric connector

Material information				
Specification	Part Number	Terminal, mounting type	Color	Wire guage
YGC705-EV-S2PA插头	YG705-01-00-00A	——	Orange	2.5 mm ² -4 mm ²
YGC705-EV-P2RA插座	YG705-02-00-00A	压线式,面板前安装		
YGC705-EV-P2RG插座	YG705-02-00-00G	Crimping, movable receptacle		
YGC705-EV-S2PB插头	YG705-01-00-00B	——	Black	2.5 mm ² -4 mm ²
YGC705-EV-P2RB插座	YG705-02-00-00B	Crimping, panel mounting		
YGC705-EV-P2RH插座	YG705-02-00-00H	Crimping, movable receptacle		
YGC705-EV-S2PC插头	YG705-01-00-00C	——	Orange	6 mm ² -10 mm ²
YGC705-EV-P2RC插座	YG705-02-00-00C	Crimping, Panel mounting		
YGC705-EV-P2RJ插座	YG705-02-00-00J	Crimping, movable receptacle		
YGC705-EV-S2PD插头	YG705-01-00-00D	——	Black	6 mm ² -10 mm ²
YGC705-EV-P2RD插座	YG705-02-00-00D	Crimping, panel mounting		
YGC705-EV-P2RK插座	YG705-02-00-00K	Crimping, movable receptacle		
YGC705-EV-S2PE插头	YG705-01-00-00E	——	Orange	16 mm ²
YGC705-EV-P2RE插座	YG705-02-00-00E	Crimping, panel mounting		
YGC705-EV-P2RL插座	YG705-02-00-00L	Crimping, movable receptacle		
YGC705-EV-S2PF插头	YG705-01-00-00F	——	Black	16 mm ²
YGC705-EV-P2RF插座	YG705-02-00-00F	Crimping, panel mounting		
YGC705-EV-P2RM插座	YG705-02-00-00M	Crimping, movable receptacle		

Technical parameters:

Electrical characteristics

Rate voltage: 630V AC/DC

Rated operating current: 80A(suitable wire 16mm²); 60A(suitable wire 10mm²), 35A(suitable wire 6mm²); 25A(suitable wire 4mm²); 13A(suitable wire 2.5mm²)

Contact resistance: ≤ 0.4mΩ (Power)

Withstand voltage: 3000V AC(normal)

Insulation resistance: ≥5000MΩ

Mechanical characteristics

Duration: ≥500 cycles

Suitable wire guage: 2.5mm²~16mm²

Protection degree: IP67

Operating ambience

Operating temperature: -40°C~+125°C

Relative humidity: 95% (at 40°C)

Vibration: 10-55Hz, amplitude 0.75mm

55-500Hz, acceleration 10g

Material introduction

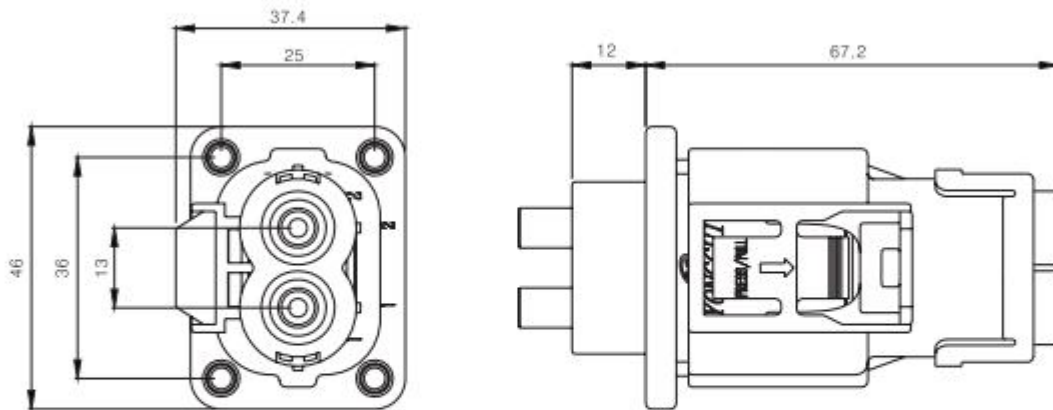
- YG705 is 2 pol electric connector, mainly apply to electrical connection of distribution system of electric vehicle.
- Crimping for wire and contacts terminal.

3. Plug-in lock for plug and receptacle coupling, with secondary locking structure.
4. The foolproof design via view (different color) to prevent misplug.
5. Wire guage from 2.5mm²~16mm², can customized according to customer's requirement.

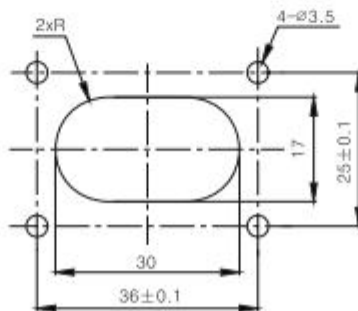
Overall Dimension

Connector overall diagram

Receptacle panel front mounting



Mounting hole dimension



Mobile receptacle

