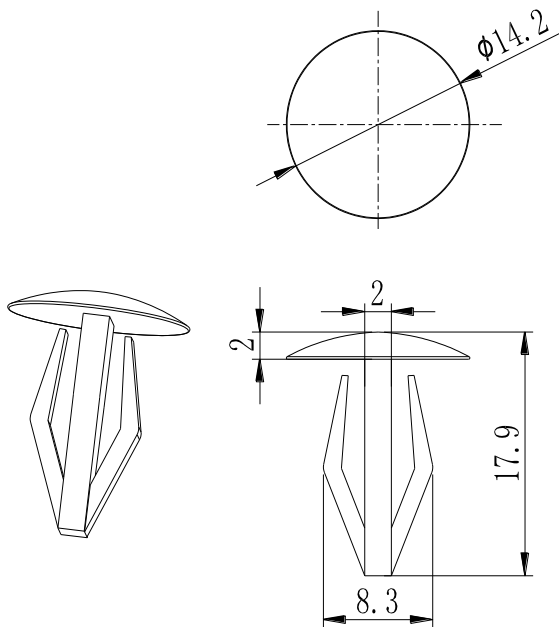


1. 产品简图(product sketch)



产品描述(description)

型号(type):GC6

材料(material):PA66

颜色:黑色/本色

Color:black/white/Natural

单位(unit): MM

防火等级(Fireproofing level)

(UL)94-V2

2. 产品用途(Application)

目前广泛应用于汽车面壳、面板, LED灯具, 展示架, PC板及机板之固定, 或者散热器或者风扇固定, 取代螺丝, 不需工具即可完成装配. 特点是容易固定, 提高生产效率. 该产品具有重量轻、体积小、美观、环保、不生锈、安装方便、快捷等优点. 颜色有黑色, 自然色, 还可按照客户所需颜色调色, 规格齐全.

Nylon rivet is widely applied to fasten and fix auto panels, LED lamps, display racks, PC board, machine boards, radiators fans, etc. It replaces screws in function and easily to mount without tools.

The rivet is easily to be fixed and greatly improve productivity; it is light in weight, small in size, artistic, environmental protected, stainless, conveniently and fast to mount. It is complete in spec. with diverse color (as black, and natural, etc.) in supply; moreover, the color can be customized.

3. 产品性能(Function)

该系列产品为单体式尼龙铆钉只有一个部件. 作用是对两个分离的物件起到铆合作用. 主要利用尼龙材料本身的弹性和记忆性能, 从而实现其连接和紧固的功能. 安装时只需轻推即可, 推入孔内时钉肋会反向钩住产品从而锁定, 安全可靠; 无需使用安装工具, 易手工安装, 省时、快捷.

Nylon rivet has only one part completely; it functions to riveting two separated parts. The nylon rivet realizes the function of connection and fastening by utilizing the flexibility and shape memory of nylon material. You need just lightly push to mount, as the fins of rivet will hook up the parts on opposite direction and then it will be fixed; it is safe, reliable and time effective, which can be easily and fast to mount without tools.