

CDD系列宽支腿型全电动堆垛车

CDD SERIES LEG-INSERT TYPE FULL-ELECTRIC STACKER

主要特点

MAIN CHARACTER

- 1、美国CURTIS控制器，质量可靠，性能优异，使整车性能达到最佳状态
- 2、进口液压站，低噪音，小振动，密封性能好，确保起升下降平稳可靠
- 3、高强度车身设计和三级“H”型钢门架，坚固耐用，使用寿命长
- 4、配置大容量牵引电池，电量持久，并选用智能充电器，德国REMA充电插件，充电方便快捷
- 5、宽支腿型车身，具有高度稳定性，支腿宽度可调节
- 6、锻造货叉，货叉外宽可调节，操作更方便
- 7、可选配人性化的护臂结构和折叠式踏板，开闭操作方便

1. Top quality controller system from CURTIS, high reliability, ensures best performance in different states
2. WINNER hydraulic power pack, low noise, few vibration and excellent leak tightness, ensures smooth lifting
3. High-strength frame design and 3-layer "H" shaped mast, strong and durable, ensures longer service life
4. Configure with 240Ah large capacity battery, intelligent charger, REMA plug from Germany
5. Adjustable straddle leg, stable enough. Adjustable forging forks, convenient and solid enough
6. Optional humanized design of handrail and folded pedal, easy operating

可选配置 OPTIONAL



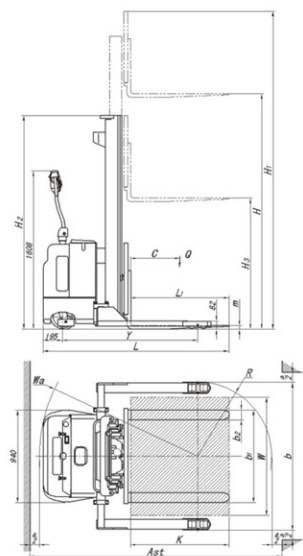
F型手把
F Type Handle



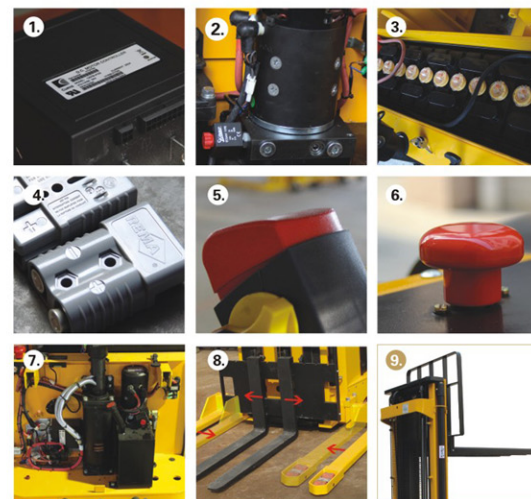
踏板扶手
Pedal and Handrail



交流电机
AC Driving Motor



AKT12/AKT15



- 1、美国CURTIS控制器
 - 2、WINNER液压泵站
 - 3、240Ah大容量蓄电池
 - 4、德国REMA充电插件
 - 5、紧急反向行驶功能，按下此按钮，车子可反向行驶
 - 6、紧急情况下可按下红色断电开关，切断所有电源，车子立即停止
 - 7、超大维护保养空间，打开后罩后内部部件一览无余
 - 8、货叉和支腿宽度可调
 - 9、带自由提升，货叉起升时门架不起升
1. CURTIS controller from America
 2. WINNER pump station from Taiwan
 3. 240Ah large capacity battery
 4. REMA plug from Germany
 5. Reverse button, press this button, the truck will travel in reverse
 6. Press the red button in an emergency, cut down all the power, stop the truck
 7. Large maintenance room
 8. Adjustable width of legs and forks
 9. With free lifting height, when forks raising, mast is still

技术参数

TECHNICAL DATA

产品型号 Model		CDD15			
特性 Identification	配置号 Config-code	标准型 Standard type	AK12/AK15		
		带踏板扶手 With pedal and handrail	AKT12/AKT15		
	驱动形式 Drive Unit		电动 Electric		
基本尺寸 Dimension	驾驶方式 Operation type		步行式 Pedestrian / 站驾式 Standing		
	额定载重 Load capacity	Q	kg	1200/1500	
	载荷中心 Load center	C	mm	500	
	总长 Overall length	L	mm	1891	
	总宽 Overall width	b	mm	1197~1520	
	总高 Overall height	H2	mm	2175 2342 2508	
	起升高度 Lift height	H	mm	4500 5000 5500	
	作业时最大高度 Max working height	H1	mm	5373 5873 6373	
	自由提升高度 Free lift height	H3	mm	1550 1717 1884	
	货叉尺寸 Fork dimensions	L1 x b2 x m	mm	1000 x 100 x 35	
	货叉外宽 Maximum fork width	b1	mm	210~950	
	最小堆垛通道 Min. aisle width for stacking	Ast	mm	2565	
	轴距 Wheelbase	Y	mm	1365	
	转弯半径 Turning radius	Wa	mm	1600	
	性能 Performance	行驶速度 Travel speed	满载 Loaded	Km/h	4.8
		空载 Unloaded	Km/h	6.0	
提升速度 Lift speed		满载 Loaded	mm/s	100	
		空载 Unloaded	mm/s	150	
下降速度 Lowering speed		满载 Loaded	mm/s	110	
		空载 Unloaded	mm/s	120	
电机 Electric Motor	制动方式 Brake type		电磁制动 Electric-magnetic		
	驱动电机功率 Drive motor power		KW	1.2	
	提升电机功率 Lift motor power		KW	3.0	
重量 Weight	蓄电池容量/电压 Battery capacity/voltage		Ah/V	240/24	
	自重(不含电池) Weight without battery		kg	1195 1245 1295	
	电池重量 Battery weight		kg	235	