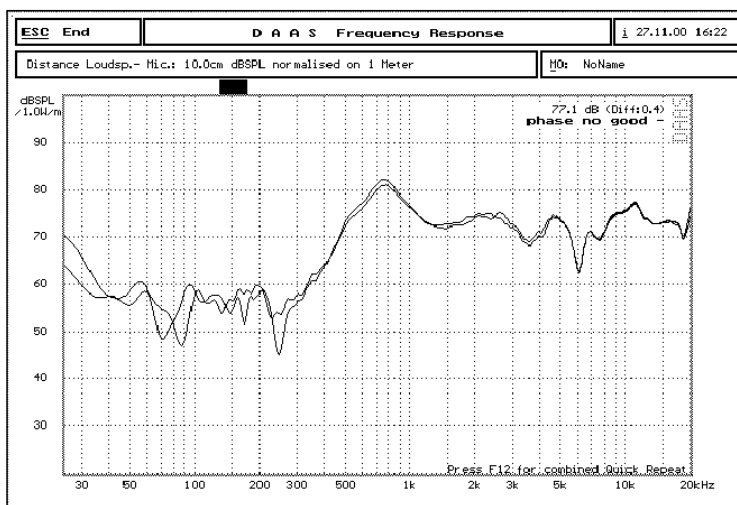


Xiamen Honch Industrial Suppliers Co Ltd

Tel: +86-592-5020537 Fax: +86-592-5020137 <http://www.honch-ind.com> E: pfyu2016@gmail.com

| | | |
|----|-----------------------------|--|
| 1 | MODEL | 2828XIBOX-47 RoHS |
| 2 | Dimension | 28.0X28.0X13.0H Weight 35 Gram. |
| 3 | Magnet | Materials Rare Earth Size ϕ 14.7X2.0 mm. |
| 4 | Nominal Impedance | 4 Ohm \pm 15 % |
| 5 | Power Rating | Normal 2.0 W. Maximum 4.0 W. |
| 6 | Lowest Resonant Frequency | 750 \pm 150 Hz |
| 7 | Output Sound Pressure Level | 76 \pm 3 dB / 1 Watt 1 Meter. |
| | | Average at 800,1000,1200,1500 Hz |
| 8 | Frequency Range | 420~20K Hz. Average SPL-10 dB. |
| 9 | Distortion | 5 % Maximum At 1000 Hz 2.0 W. |
| 10 | Abnormal Sound Test | Must be Normally Tested By 2.83 Volts Sine Wave. |
| 11 | Load Test | White Noise with Weighted Filter 2.83 Volts. (RMS) 48 Hrs. |
| 12 | Operation Temperature | -25°C ~ +60°C |
| 13 | Storage Temperature | -40°C ~ +70°C |
| 14 | Polarity | Diaphragm shall move Forward when Apply a Positive DC |
| | | Current to the "+" or "Marked" Terminal. |
| 15 | Remarks | Above specifications on the strength of CNS4784 and CNS4785. |



| Bill of Material | |
|------------------|-------|
| ITEM | SPEC. |
| SURROUND | FOAM |
| CONE | / |
| DUST CAP | PET |

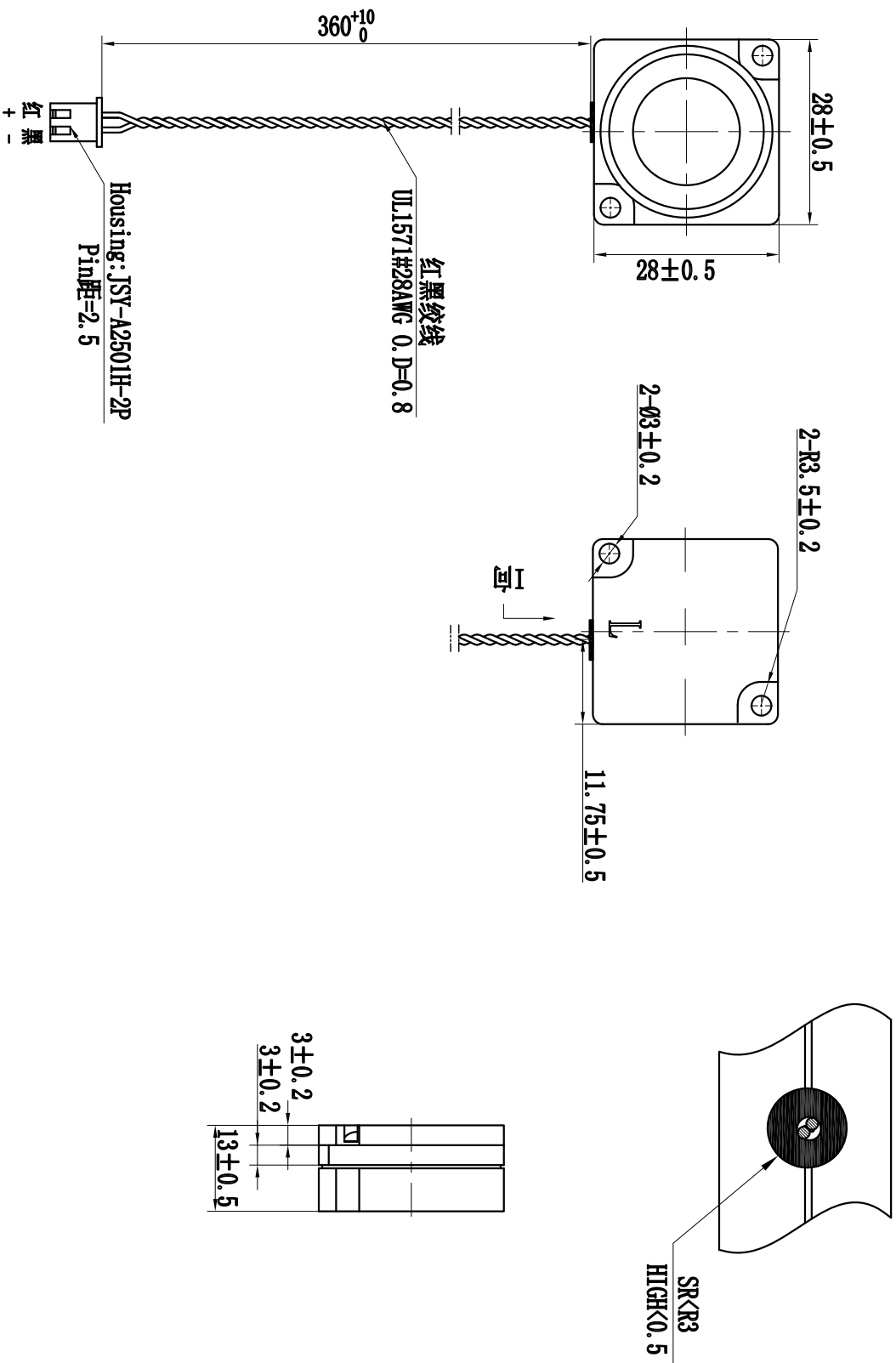
Dimension:
 details see drawing name " 2828XIBOX-47 RoHS "

Admitted:

Approved:

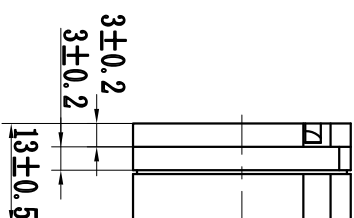
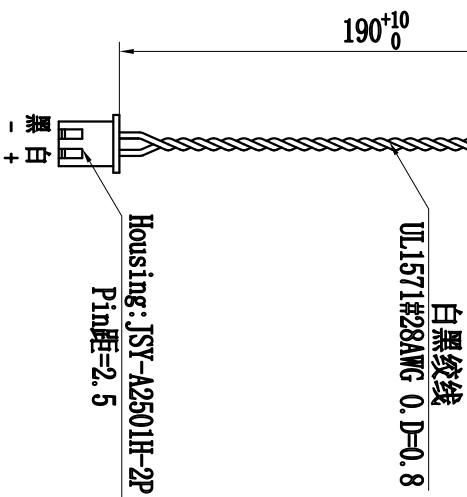
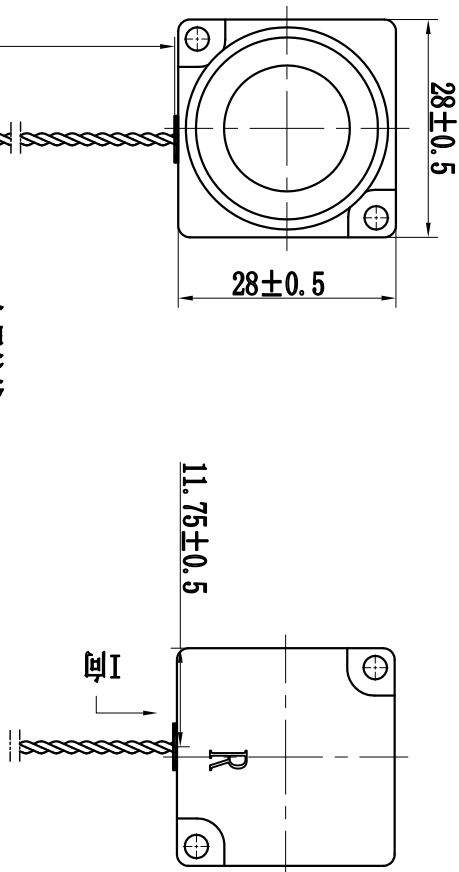
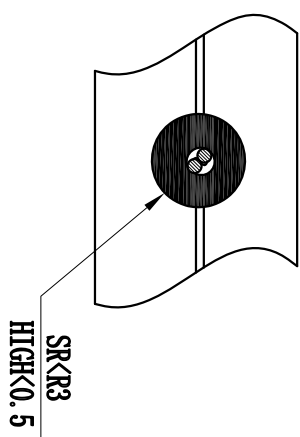
Made:

I向
2:1



- 注:
- 1、点胶厚度不能超过0.5mm
 - 2、点胶面积半径不能超过3mm
 - 3、线材出线端需伸直，不能卷曲

I向
2:1



- 注:
- 1、点胶厚度不能超过0.5mm
 - 2、点胶面积半径不能超过3mm
 - 3、线材出线端需伸直，不能卷曲