

COT104-CFF02 (Also call COT104-CWFF02)

10.4 inch Flat Screen Frameless Touch Monitor

Projected Capacitive Touch screens/ Water proof and Vandal proof



COT104 Serials Model Definitions

COT104-CFF02	Projected capacitive (PCAP) Touch Screen	VGA/DVI	Frameless
--------------	--	---------	-----------

DongGuan CJTOUCH Electronic Co., Ltd.

PUBLISHED DATE:2013-03-08

*www.cjtouch.com Sales & Technical Support: pearl@cjtouch.cn Skype: pearlhuangpei Tel: +86-769-33231050
Block B, 3rd/5th floor, Building 6, Anjia industrial park, WuLian, FengGang, DongGuan, P.R.China 523000*

Open Frame Touch Monitor Parameters

General	
Model	COT104-CFF02
Series	Flat Screen Frameless waterproof
Monitor Dimensions	Width: 264mm Height: 204mm Depth: 40mm
LCD Type	10.1" Active matrix TFT-LCD
Video Input	VGA and DVI
OSD controls	Allow on-screen adjustments of Brightness, Contrast Ratio, Auto-adjust, Phase, Clock, H/V Location, Languages, Function, Reset
Power Supply	Type: External brick Input (line) voltage: 100-240 VAC, 50-60 Hz Output voltage/current: 12 volts at 4 amps max
Mount Interface	1)VESA 75mm and 100mm 2)Mount bracket, horizontal or vertical
LCD Specification	
Active Area(mm)	211.2x158.4 mm
Resolution	800×600 @60Hz
Dot Pitch(mm)	0.088×0.264
Nominal Input Voltage VDD	+3.3V(Typ)
Viewing angle (v/h)	80/80/60/80(Typ.)(CR≥10) (Left/right/Top/Bottom)
Contrast	700:1
Luminance(cd/m2)	400
Response Time(Rising)	25msec
Support Color	16.2M/262K colors
Backlight MTBF(hr)	10000(Min)
Touchscreen Specification	
Type	Cjtouch Projected Capacitive touch screen
Multi touch	5points touch
Touch Life Cycle	10 millions
Touch Response time	8ms
Touch System Interface	USB interface
Power consumption	+5V@80mA
External AC Power Adapter	
Output	DC 12V /4A
Input	100-240 VAC, 50-60 Hz
MTBF	50000 hr at 25°C
Environment	
Operating Temp.	0~50°C
Storage Temp.	-20~60°C
Operating RH:	20%~80%
Storage RH:	10%~90%

Components

USB Cable 180cm*1 Pcs,

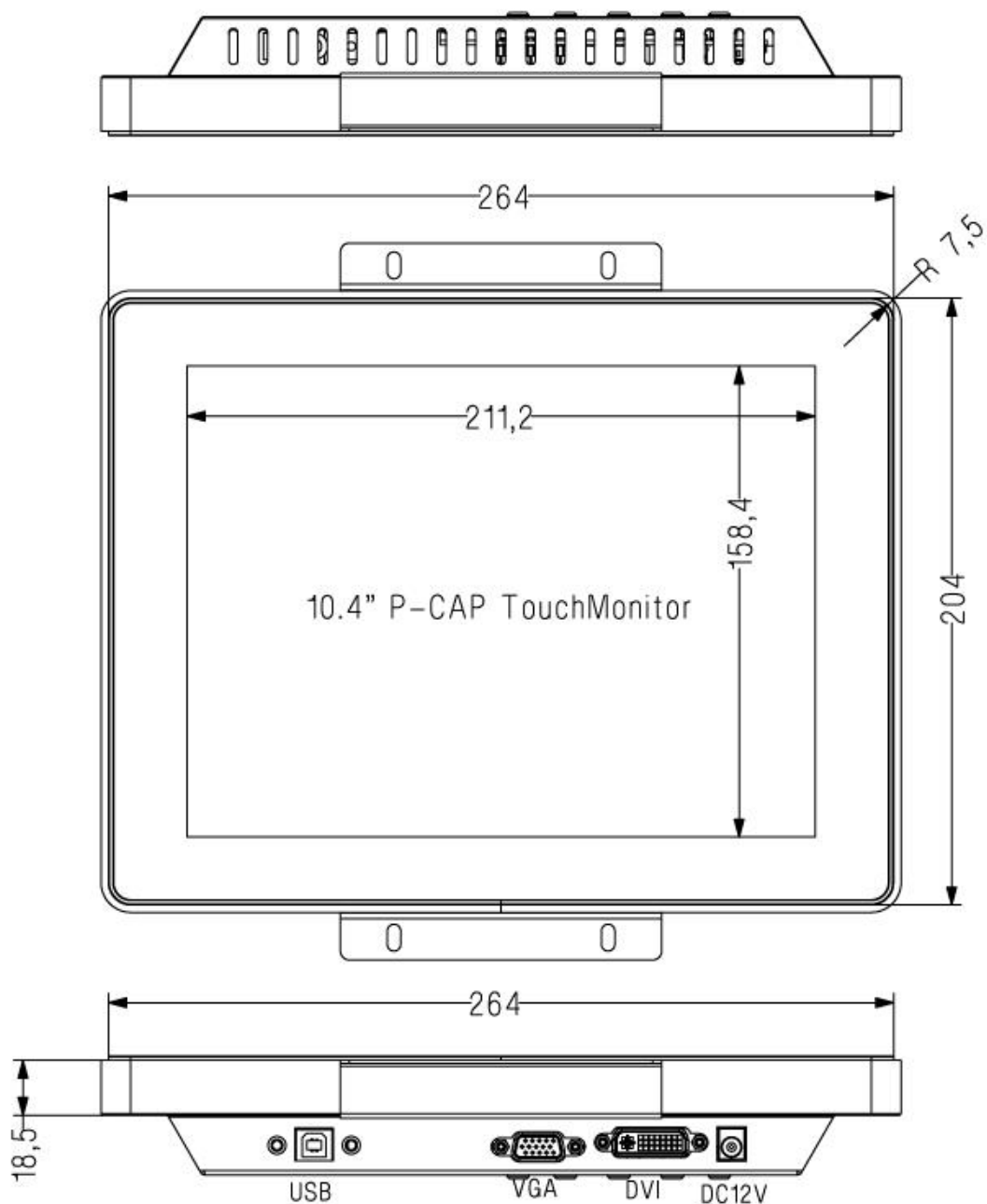
VGA Cable 180cm*1 Pcs,

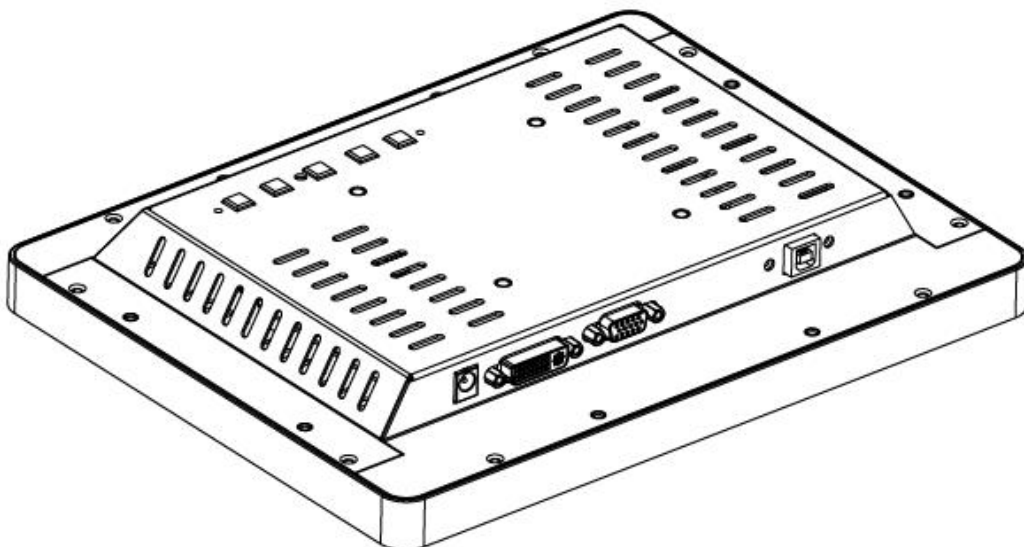
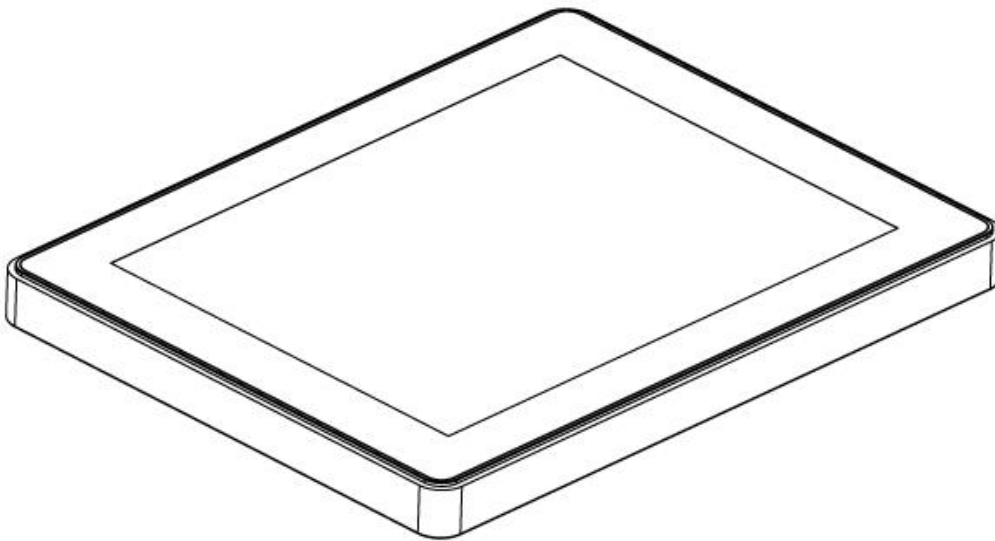
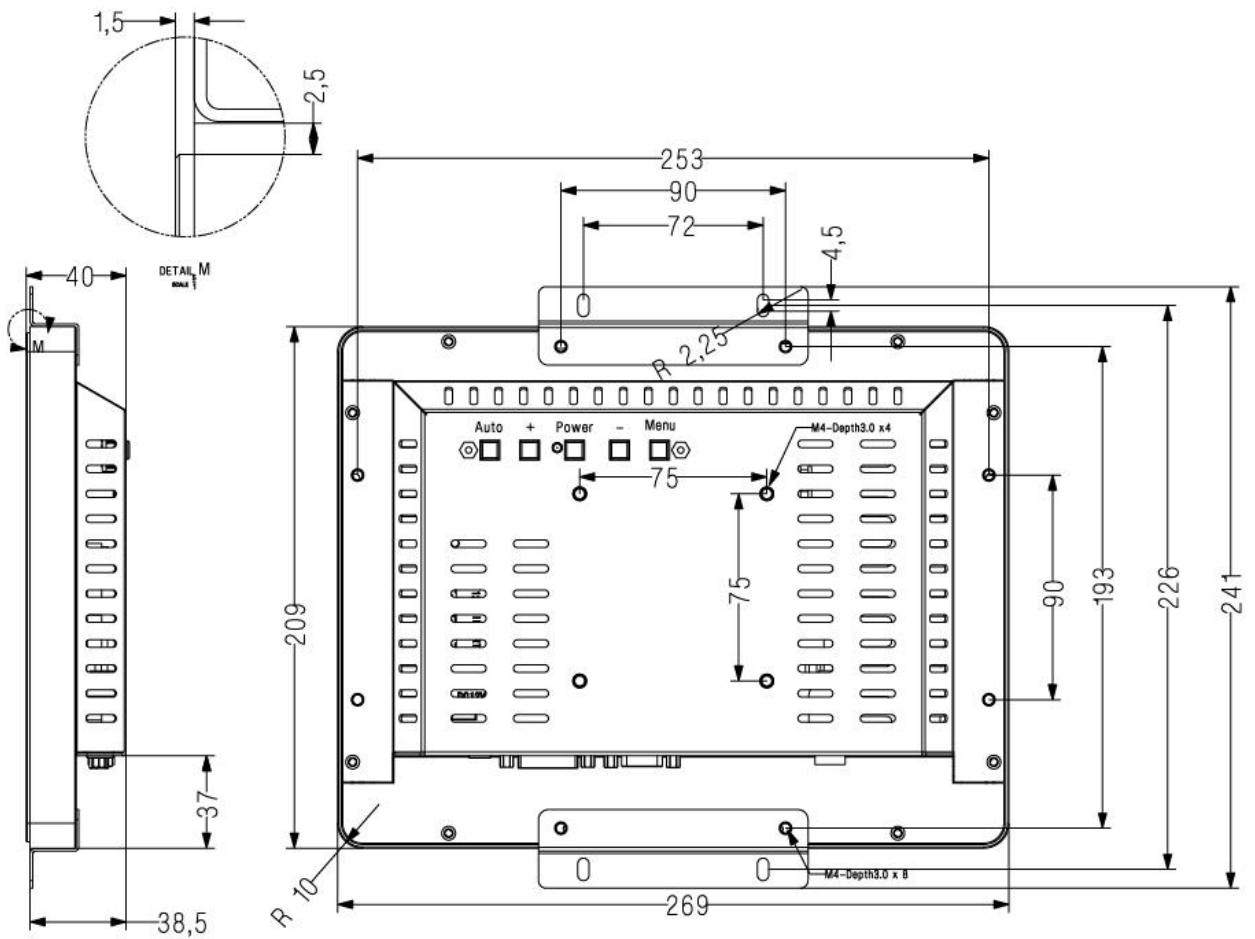
Power Cord with Switching Adapter *1 Pcs,

Bracket*2 Pcs



Mechanical Drawing





ALL IN ONE TOUCH COMPUTER
For School Education/Meeting



Skype:pearlhuangpei




Floor Standing Advertising Player

SAW Touch Screens



IR Touch Frames



PCAP Touch Screens



PCAP Touch Foils



Resistive Touch Screens



Capacitive Touch Monitors



Elo Style Touch Monitors



Desktop Touch Monitors

