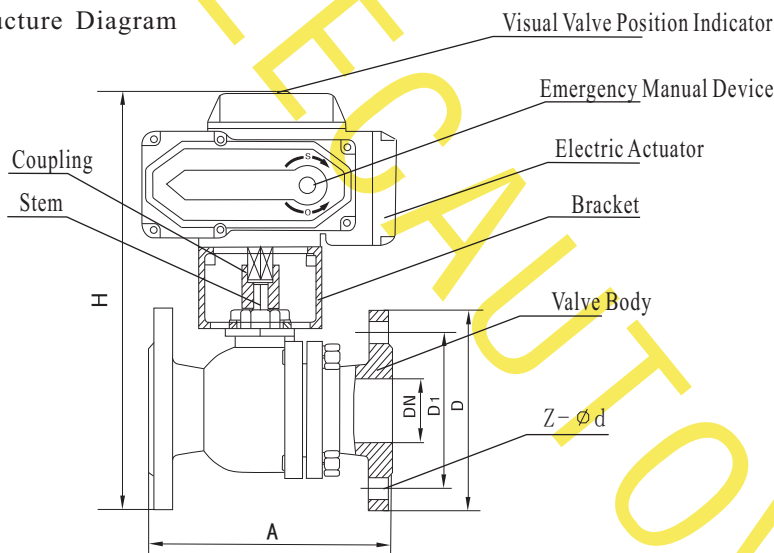


C800-C Cast Steel, C800-B Stainless Steel Series 2/2 Way Electric Ball Valve (Open/Close Type)
Features

1. Mounted at any angle
2. With emergency manual device
3. Motor with overheating protection device
4. With visual valve position indicator
5. Valve position signal output
6. No kinematic viscosity & flow direction limit for the medium
7. Valve body: Cast Steel(code: C), SS 304(code: B)
SS 316 (code: R), SS316L(code: L)
8. Seal material: III--- Fluoroplastic(PTFE, code: P)
IV --- Polyphenyl (PPL, code: P̄)
V --- Hard Alloy (code: Y)
VI/VII --- Fluoroplastic (PTFE, code: P)
VIII --- Body Material(code:W)
9. Control mode and signal output: C800 --- Standard open/close type (active contact output), C800-◇ --- Passive contact output type
C800-α--- Open degree α type , C800-☆--- Valve position mimic signal output
C800-▲--- with thermal failure signal output, C8004--- smart adjusting type


C800-32CFIII24-CG05

C800-50BFIII02-B10
Structure Diagram

BdC800-32BIII02-CQ06 (Explosion Proof)
Dimension

Unit: mm

Dimension Diameter	Screwed (1.6/2.5/4.0MPa)		Flanged (1.6MPa)				Dimension Diameter	Flanged (1.6MPa)			
	L×W×H (A×B×H)	Connection	L×W×H (A×B×H)	D	D1	Z-φd		L×W×H (A×B×H)	D	D1	Z-φd
DN15	70×120×260	ZG1/2"	130×135×306	95	65	4-14	DN65	220×180×426	180	145	4-18
DN20	80×120×265	ZG3/4"	140×135×312	105	75	4-14	DN80	250×195×465	195	160	8-18
DN25	90×120×270	ZG1"	150×135×326	115	85	4-14	DN100	280×215×510	215	180	8-18
DN32	100×120×280	ZG1 1/4"	165×135×340	135	100	4-18	DN125	320×245×545	245	210	8-18
DN40	110×120×290	ZG1 1/2"	180×145×387	145	110	4-18	DN150	360×280×583	280	240	8-23
DN50	130×130×300	ZG2"	200×160×405	160	125	4-18	DN200	400×335×640	335	295	12-23

- Note: 1. The default threads are ZG=PT=RC, also can be customized, e.g.: G=RP, NPT thread, ect.
 2. Default flange standard JB/T79, also can be customized, e.g.: GB/T9113, HG/T20592, ANSI, JIS, DIN, etc.
 3. The default configuration of thread type is PQ13 series three piece high platform ball valve.

C800-C Cast Steel, C800-B Stainless Steel Series 2/2 Way Electric Ball Valve (Open/Close Type)

Electric Valve Control Circuit Diagram

For details, please refer to page52-53

Technical Data

1. Applicable medium: non- freezing liquid, gas
2. Medium temp:
Cast Steel--- III: -29~150℃ IV: -29~250℃ V: -29~450℃
Stainless Steel --- III: -40~150℃ IV: -40~250℃ V: -40~450℃ VI: -100~150℃
VII: -196~150℃ VIII: -40~600℃
3. Nominal pressure:
Normal --- 1.6 Mpa
Special --- 2.5,4.0,6.4,8.0,10.0,16.0,20.0,25.0,32.0MPa

C800 Instruction for Actuator Option

Actuator Options	Voltage of Actuator Options	Description
BEST Series	AC24/AC110/AC220*/AC380 DC12/DC24**/DC220	Please refer to detailed info of actuator
CG Series	AC24/AC110/AC220*/AC380 DC24**	Please refer to detailed info of actuator
CQ Series	AC220* DC24**	Please refer to detailed info of actuator
CB Series	Three Phase AC380*/AC660/AC415 Single Phase AC220**/AC110	Please refer to detailed info of actuator
CZ Series	Three Phase C380*/AC660/AC415 Single Phase AC220**/AC110	Please refer to detailed info of actuator

Note: * mark means normal voltage , with ** mark, voltage is sub-normal voltage.

Ordering Notice

1. Medium 2. Medium temp 3. Medium pressure 4. Nominal diameter 5. Pipe Connection 6. Supply voltage
7. Valve body material
8. Control mode and signal output
9. Special requirement
 - a. Explosion proof --- CQ,CB,CZ series actuator optional
 - b. Whether proof --- CG,CQ,CB,CZ series actuator optional
 - c. LCD display --- CG,CQ,CB,CZ series actuator optional
 - d. On field control --- CG,CQ,CB,CZ series actuator optional
 - e. Wireless remote control --- CG,CQ,CB,CZ series optional
 - f. Valve position resistance output --- BEST,CG,CQ,CB,CZ series actuator optional
 - g. Valve position thermal failure output --- BEST,CG,CQ,CB,CZ series actuator optional
 - h. Open/close control valve position signal mimic output --- BEST,CG,CQ,CB,CG series actuator optional

Special Configuration

C8004-T : Smart Adjusting Type (see page56)	C800-F4/F46 : F4/F6 lining Ball Valve, applicalbe for Strong Acid/Alkali
C80031 : 3 way T type Electric Ball Valve (see page57-59)	C80032 : 3way L type Electric Ball Valve (see page 57-59)