

## WAFER TYPE BUTTERFLY VALVE



### Description:

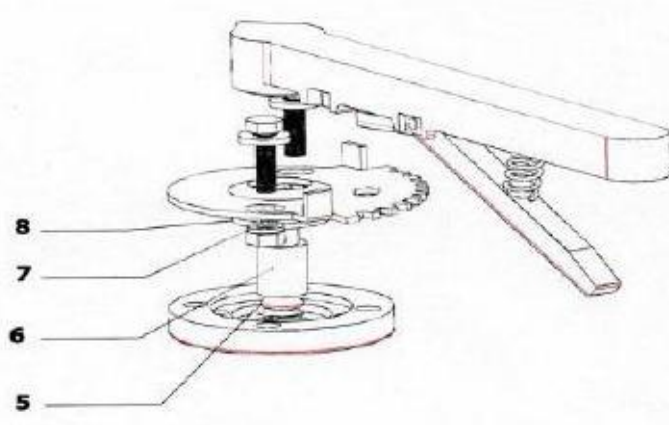
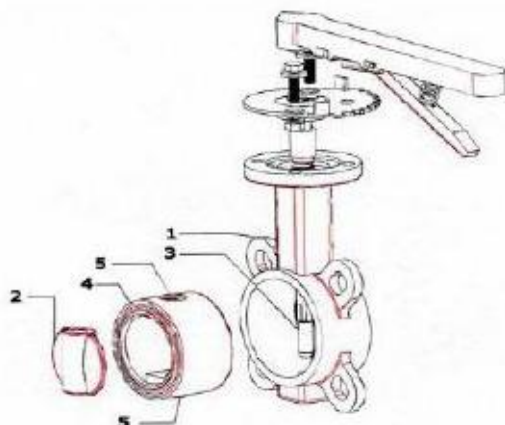
- 1, Wafer type butterfly valve with long neck and 4 centering holes
- 2, Face to Face length acc. EN558-BS5155-ISO5752-API609
- 3, With top flange acc. ISO5211
- 4, Mounting between flanges acc DIN PN6/10/16 and ANSI150
- 5, Exchangeable seat vulcanized on hard center with lay-in O-rings
- 6, Epoxy coating thickness min. 200 micron
- 7, Application: warm and cold water, clean, waste and salt water, oil, granulates, compressed air, natural gas, etc.

### Temperature Range:

- EPDM: -20°C to +120°C  
 BUNA: -10°C to +90°C  
 FPM/FKM: -10°C to +170°C

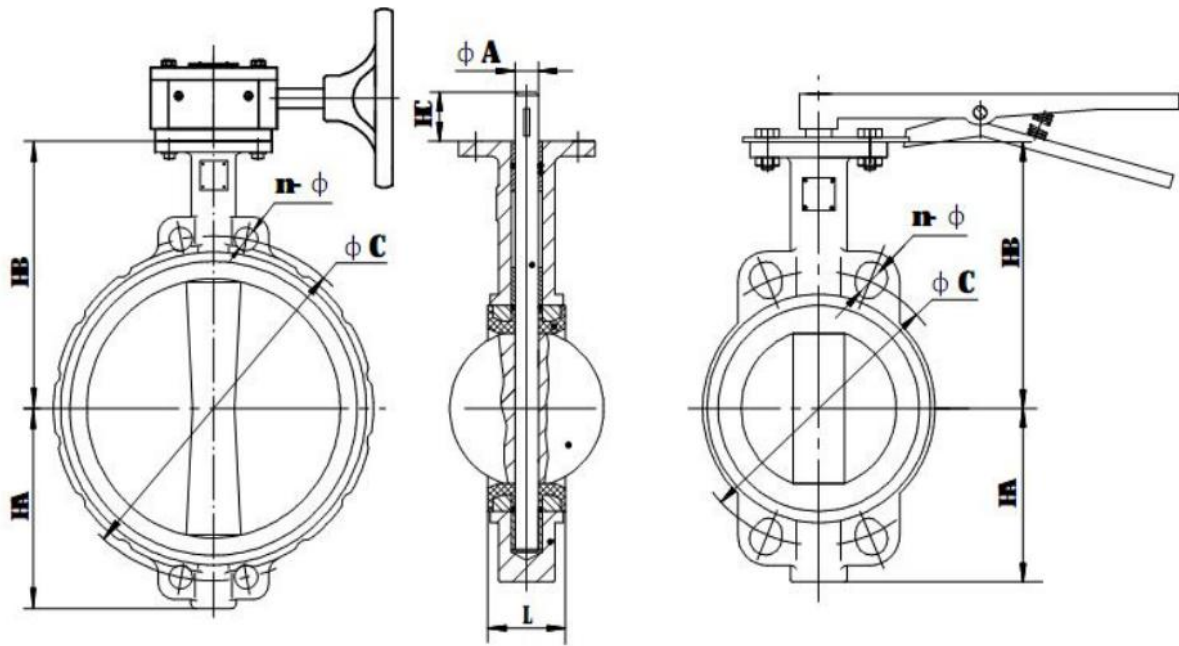
### Max. Working Pressure:

- Max. working pressure: 16.0bar  
 Hydraulic body test: 24.0bar  
 Hydraulic seat test: 17.8bar  
 AISI 316 stem execution: 10.0bar



NO	Part	Material
1	Body	GG25, GGG40, GGG50, WCB, CF8, CF8M
2	Disc	GGG40, CF8, CF8M, CF3M, AL-B
3	Stem	SS416/420, CF8, CF8M
4	Seat	EPDM, NBR, VITON, PTFE
5	O-Ring	EPDM, NBR
6	Bushing	PTFE
7	Circlip	STEEL
8	Retainer	STEEL

## WAFER TYPE BUTTERFLY VALVE



**Dimensions (mm)**

Five Standard		PN10		PN16		ANSI 16.1		JIS 5K		JIS 10K	
Size	L	φ C	N-φ	φ C	N-φ	φ C	N-φ	φ C	N-φ	φ C	N-φ
40	33	110	4-18	110	4-18	98.5	4-16	95	4-15	105	4-19
50	43	125	4-18	125	4-18	121	4-16	105	4-15	120	4-19
65	46	145	4-18	145	4-18	140	4-19	130	4-15	140	4-19
80	46	160	4-18	160	4-18	153	4-19	145	4-19	150	8-19
100	52	180	8-18	180	8-18	191	8-19	165	8-19	175	8-19
125	56	210	8-18	210	8-18	216	8-22	200	8-19	210	8-23
150	56	240	8-23	240	8-23	242	8-22	230	8-19	240	8-23
200	60	295	8-23	295	12-23	299	8-22	280	8-23	290	12-23
250	68	350	12-23	355	12-27	362	12-25	345	12-23	355	12-25
300	78	400	12-23	410	12-27	432	12-25	390	12-23	400	16-25
350	78	460	16-23	470	16-27	476	12-29	435	12-25	445	16-25
400	86	515	16-27	525	16-30	540	16-29	495	16-25	510	16-27
450	105	565	20-27	585	20-30	578	16-32			525	20-27
500	130	620	20-27	650	20-33	635	20-32			620	20-27
600	152	725	20-30	770	20-36	750	20-35			730	24-33