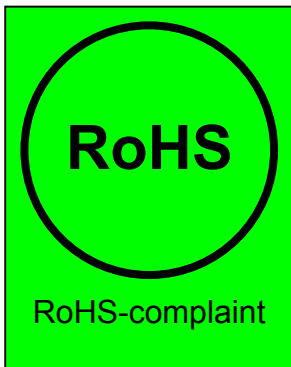




# VCSOs

(Voltage Controlled SAW Oscillators)



No.	SGS Report No.	Report Date



## Attention

Please contact our sales representatives or engineers before using the products specified in this specification sheet for the following equipment, which require high reliability, and if such equipment fails, which might damage to a third party's life, body or property.

- |  |  |
|--|--|
| (i) Aerospace equipment  | (ii) Medical equipment                       |
| (iii) Power plant equipment  | (iv) Transportation equipment                |
| (v) Traffic control equipment  | (vi) Disaster control / prevention equipment |
| (vii) Undersea navigational equipment  | (viii) Data-processing equipment             |
| (ix) or equipment that requires similar complexity and / or reliability of above equipment |  |

Product specifications in this specification sheet are as of the date that is printed on. They are subject to change or discontinue without prior notice. Please check with our sales representative or engineers for details.

When using our products, please do not exceed the requirements and conditions specified in this specification sheet.

Should there be any doubt when using our products, please consult our sales representative or engineers before using our products.



## When using CQ products...

1. Do not apply voltage exceeding the rated voltage of components
2. Be certain not to operate outside the recommended operating temperature range of components
3. Be careful of soldering temperature and duration of components when soldering
4. Do not place soldering iron on the body of components
5. Be careful not to subject the terminals or leads of components to excessive force
6. Pay attention to the type of flux cleaning solvents that may damage components
7. Product information on this brochure is for reference only, and is subject to change or discontinue without prior notice.
8. In case of any doubt in using CQ products, please consult our engineers for information

**1090MHz VCISO**

Characteristic		Sym	Minimum	Typical	Maximum	Unit
Center Frequency	Absolute Frequency	$f_c$	1089.80	1090.00	1090.20	MHz
	Tolerance from 1090.000 MHz	$\Delta f_c$			$\pm 200$	kHz
RF Output Power		$P_o$	10	12	14	dBm
DC Power Supply	Operating Voltage	$V_{cc}$	11.75	12	12.25	VDC
	Operating Current	$I_{cc}$		45	60	mA
Discrete Spurious	Second Harmonics			-25	-20	dBc
	Third and Higher Harmonics			-35	-30	
	Non-harmonic			<-100	-80	
SSB Phase Noise	1KHz Offset			-100	-90	dBc/Hz
	10KHz offset			-120	-110	
RF Impedance	Nominal Impedance	$Z_o$		50		$\Omega$
	Operating Load VSWR	$G_L$			1.5:1	
Operating Ambient Temperature		$T_A$	-45		+85	$^{\circ}C$

**1030MHz VCISO**

Characteristic		Sym	Minimum	Typical	Maximum	Unit
Center Frequency	Absolute Frequency	$f_c$	1029.80	1030.00	1030.20	MHz
	Tolerance from 1030.000 MHz	$\Delta f_c$			$\pm 200$	kHz
RF Output Power		$P_o$	10	12	14	dBm
DC Power Supply	Operating Voltage	$V_{cc}$	11.75	12	12.25	VDC
	Operating Current	$I_{cc}$		45	60	mA
Discrete Spurious	Second Harmonics			-25	-20	dBc
	Third and Higher Harmonics			-35	-30	
	Non-harmonic			<-100	-80	
SSB Phase Noise	1KHz Offset			-100	-90	dBc/Hz
	10KHz offset			-120	-110	
RF Impedance	Nominal Impedance	$Z_o$		50		$\Omega$
	Operating Load VSWR	$G_L$			1.5:1	
Operating Ambient Temperature		$T_A$	-45		+85	$^{\circ}C$

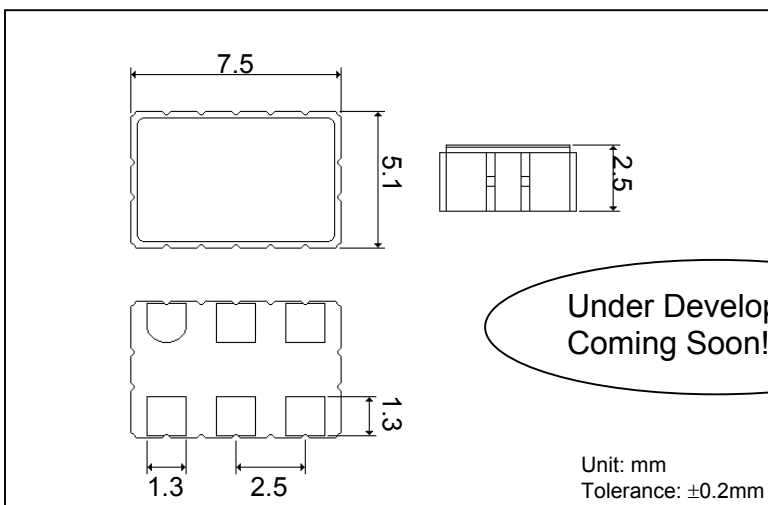
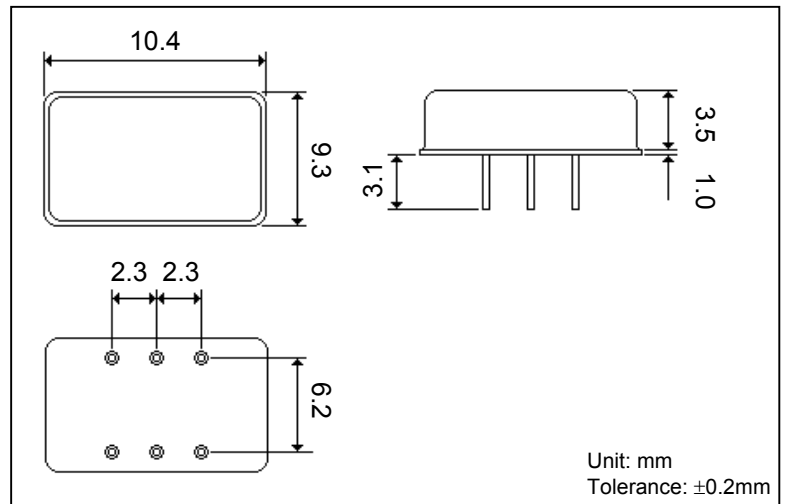
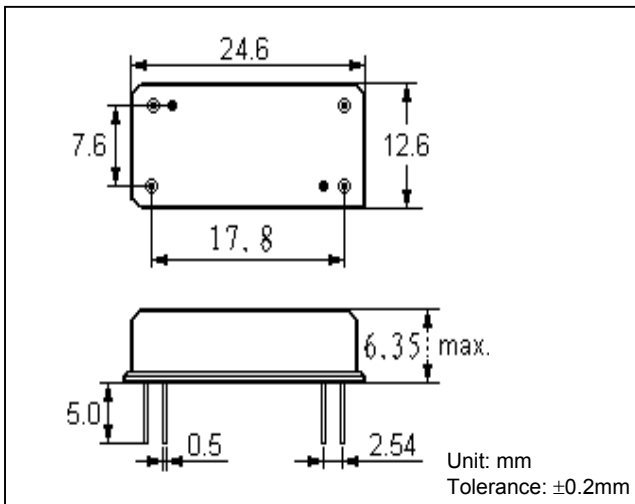


# Standard Frequencies (MHz)

622.0800	624.7048	625.0000	627.3296
629.9878	640.0000	644.5313	657.4219
666.5143	669.3266	669.6429	670.8386
672.1627	690.5692	693.4830	693.7500

For frequencies or packages that are not listed, please contact our sales representatives for details.

# Packages





捷嘉電子(中國)有限公司

**Chequers Electronic (China) Limited**

---