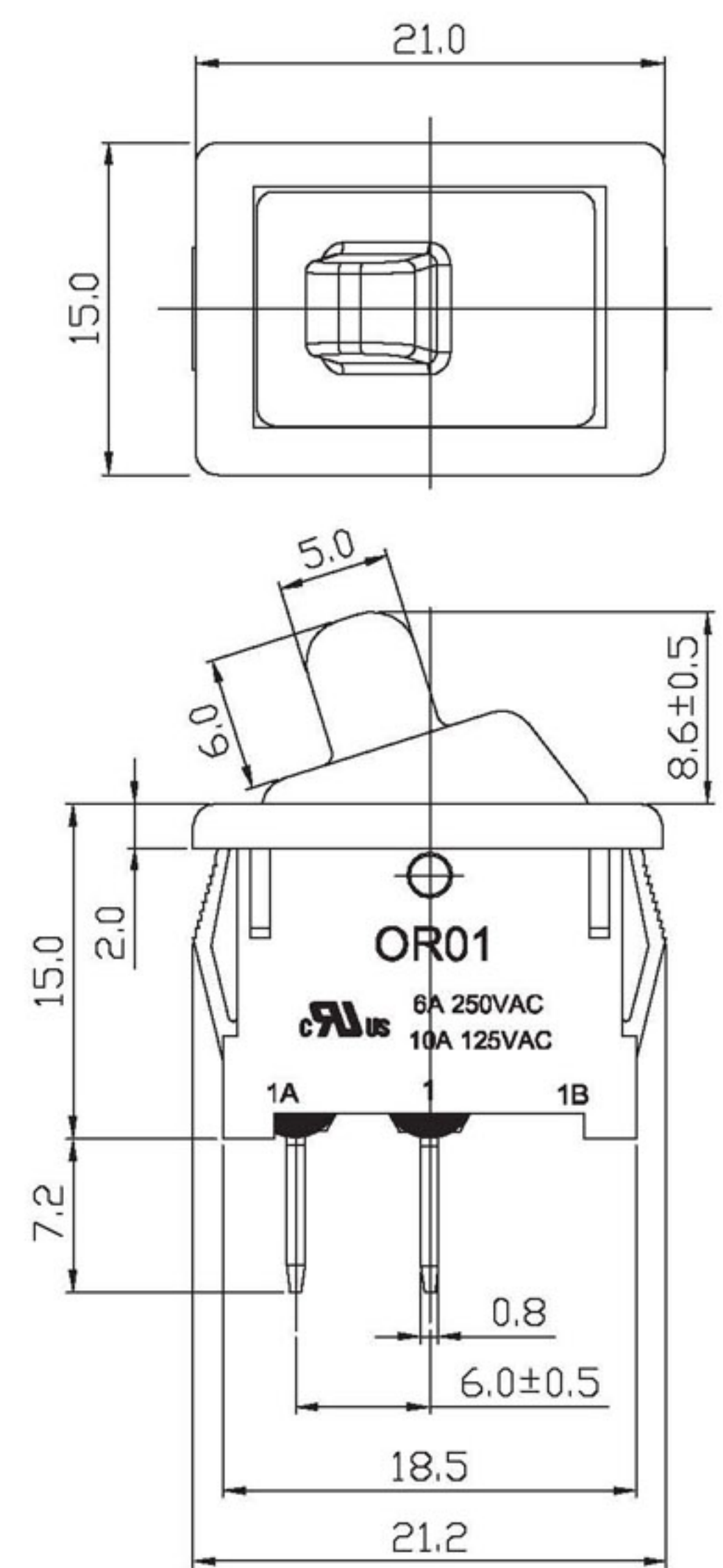




- ▶ Contact rating : 3(3)A 250VAC T85/55 5E4 (ENEC)
6A 250VAC (C-UL&UL) UL1054
10A 125VAC (C-UL&UL) UL1054
5A 24VDC(C-UL&UL)
10.5A 125V~ (UL61058)
6.5A 250V~ (UL61058)
5A 24VDC (UL61058)
- ▶ Initial contact resistance : 50mΩ(max)
- ▶ Insulation resistance : 500MΩ(min) 500VDC
- ▶ Initial withstand voltage :
Please reference test specificaiton-3.3
- ▶ Life cycles : 50,000 cycles
- ▶ Operation : 650±150 GRAM
- ▶ Material used must be comply with BQI-0555

Dimensions in mm



PANEL THICKNESS	DIM.X	DIM.Y
0.75-1.25	19.2/19.1	13.0/12.9
1.25-2.0	19.4/19.3	13.0/12.9
2.0-3.0	19.8/19.7	13.0/12.9

