

Y G626 connector

Material information							
Plug							
No.	Part number	Specification	Polarity	Key angle A	Color	Wire guage	Remark
1	YG626-01-00-00	YGC626-S1P插头	+	120°	Orange	接120mm ² 线缆	Composite pin Rated current: 400A
2	YG626-01-00-00A	YGC626-S1PA插头	-	90°	Black	接120mm ² 线缆	
3	YG626-01-00-00/1	YGC626-S1P/1插头	+	120°	Orange	接95mm ² 线缆	Composite pin Rated current: 350A
4	YG626-01-00-00A/1	YGC626-S1PA/1插头	-	90°	Black	接95mm ² 线缆	
5	YG626-01-00-00B	YGC626-S1PB插头	+	120°	Orange	接120mm ² 线缆	Split slot Rated current: 350A
6	YG626-01-00-00C	YGC626-S1PC插头	-	90°	Black	接120mm ² 线缆	
7	YG626-01-00-00B/1	YGC626-S1PB/1插头	+	120°	Orange	接95mm ² 线缆	Split slot Rated current: 300A
8	YG626-01-00-00C/1	YGC626-S1PC/1插头	-	90°	Black	接95mm ² 线缆	
Note: key rotation angle see outline drawing							
Receptacle							
No.	Part number	Specification	Polarity	Key angle A	copper bar angle B	Color	Mated plug P/N
1	YG626-02-00-00	YGC626-P1R插座	+	120°	90°	Orange	YG626-01-00-00
2	YG626-02-00-00/1	YGC626-P1R/1插座	+	120°	0°	Orange	YG626-01-00-00/1
3	YG626-02-00-00A	YGC626-P1R插座	-	90°	90°	Black	YG626-01-00-00A
4	YG626-02-00-00A/1	YGC626-P1RA/1插座	-	90°	0°	Black	YG626-01-00-00A/1
5	YG626-02-00-00B	YGC626-P1R插座	+	120°	90°	Orange	YG626-01-00-00B
6	YG626-02-00-00B/1	YGC626-P1RB/1插座	+	120°	0°	Orange	YG626-01-00-00B/1
7	YG626-02-00-00C	YGC626-P1R插座	-	90°	90°	Black	YG626-01-00-00C
8	YG626-02-00-00C/1	YGC626-P1RC/1插座	-	90°	0°	Black	YG626-01-00-00C/1
Note: Dimension A, B see outline drawing							

Technical parameters:

Electrical Features

Rated current: 400A

Rated voltage: 630V AC/DC

Withstand voltage: 2500V AC

Insulation resistance: $\geq 2000\text{M}\Omega$ (normal); $\geq 500\text{M}\Omega$ (humidity)

Contact resistance: $\leq 0.2\text{m}\Omega$

Environment features:

Working temperature: $-40^{\circ}\text{C}\sim 125^{\circ}\text{C}$

Relative humidity: 80% (at 40°C)

Protection degree: IP67(for mated parts)

Mechanical Features:

Service life: ≥ 500 cycles

Shock: $100\text{g}(981\text{m/s}^2)$

Vibration: LF/vibration amplitude 10-80 Hz/ ± 0.75

HF/acceleration 81-500Hz/20g; 500-2000Hz/18g

Material introduction:

YG625 single core connector, suitable for 120mm² cable, with current carrying capacity, up to 400A (95mm² cable optional, current-carrying 300A), adopted metal+plastic injection, reliable structure, small size, especially use for narrow space.

Quick bayonet coupling, easy to operate.

With secondary locking function, reliable connection.

With protection against electric shock.

Adopted multi-key position design for prevention of misplug.

Protection degree is IP67 for mated connectors.

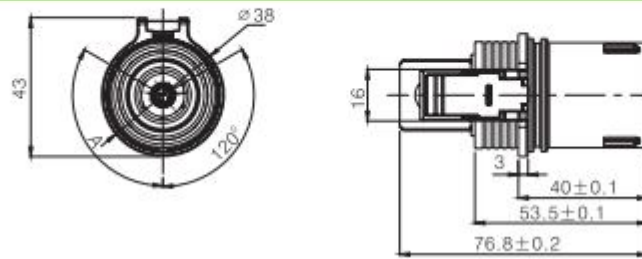
Any special requirement, please contact Yonggui, we'll provide relevant design solution and technical specification for you.

YG626 connector introduction

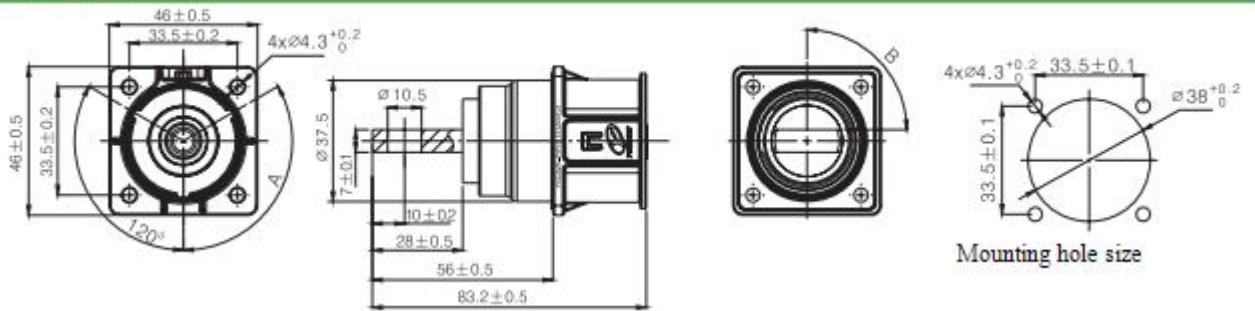
Item No.	P/N	Specification	Left side plug		Right side plug		Dimensi on A
			Polarity	color	Polarity	color	
1	YG626-01-00-(00/00A)XL/6.5	YGC626-(S1P/S1PA)-6.5m	positive	Orange	negative	Black	6500mm
2	YG626-01-00-(00/00A)XL/4.8	YGC626-(S1P/S1PA)-4.8m	positive	Orange	negative	Black	4800mm
3	YG626-01-00-(00/00A)XL/4.0	YGC626-(S1P/S1PA)-4.0m	positive	Orange	negative	Black	4000mm
4	YG626-01-00-(00/00A)XL/3.0	YGC626-(S1P/S1PA)-3.0m	positive	Orange	negative	Black	3000mm
5	YG626-01-00-(00/00A)XL/2.0	YGC626-(S1P/S1PA)-2.0m	positive	Orange	negative	Black	2000mm
6	YG626-01-00-(00/00A)XL/0.78	YGC626-(S1P/S1PA)0.78m	positive	Orange	negative	Black	780mm
7	YG626-01-00-(00/00A)XL/0.5	YGC626-(S1P/S1PA)-0.5m	positive	Orange	negative	Black	500mm
8	YG626-01-00-(00/00)XL/0.5	YGC626-(S1P/S1P)-0.5m	positive	Orange	positive	Orange	500mm
9	YG626-01-00-(00A/00A)XL/0.5	YGC626-(S1PA/S1PA)-0.5m	negative	Black	negative	Black	500mm
10	YG626-01-00-(00/00)XL/1.5	YGC626-(S1P/S1P)-1.5m	positive	orange	positive	orange	1500mm
11	YG626-01-00-(00A/00A)XL/1.5	YGC626-(S1PA/S1PA)-1.5m	negative	Black	negative	Black	1500mm

Overall dimension

Plug

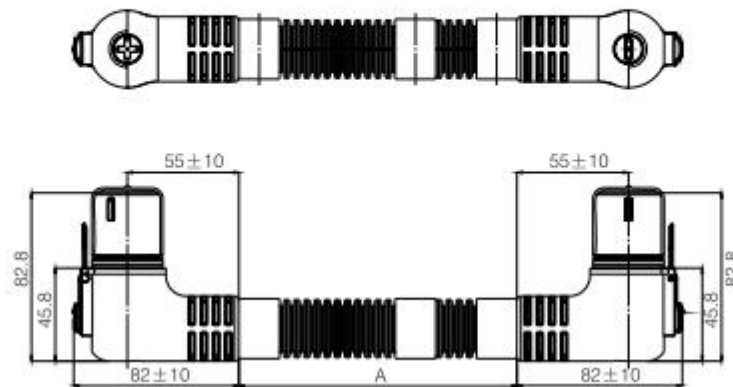


Receptacle

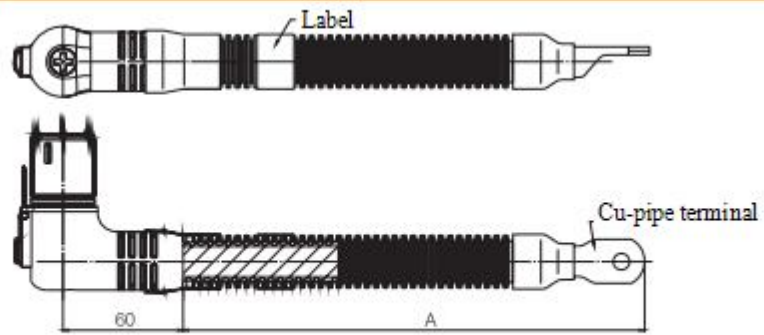


YG626 Right angle plug cable (the dimension A according to requirement of customer)

Plug cable wiring type I

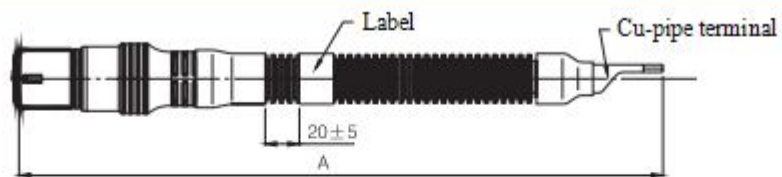


Plug cable wiring type II



YG626 Straight plug cable (the dimension A according to requirement of customer)

Plug cable wiring type I



Plug cable wiring type II

