



Fx-BG06B ADSL POTS Splitter For CPE Side

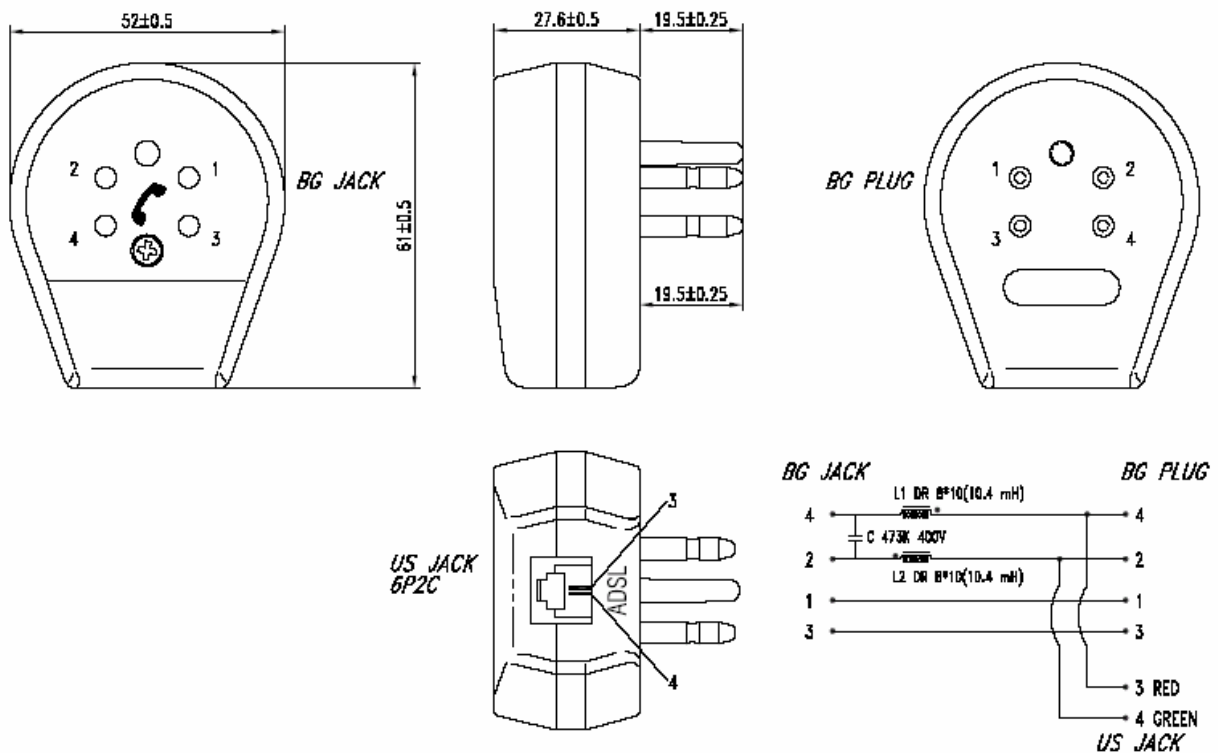


- ★ Compact package, includes connectors for ease of installation
- ★ Design for Glite Application
- ★ 100 mA DCI Loop Current Capacity

Specifications

POTS Port Impedance	270 Ω +150nF//750 Ω	POTS Tip and Ring DC Voltage	0~105V
Insertion Loss @1KHz	1dB Max	DC Resistance each Line	12.5 Ω Max
Insertion distortion @200~4 KHz	±1dB Max	Return Loss @300Hz~500Hz	14 dB Min
Attenuation @32~200KHz	30dB Min	@500Hz~2KHz	18 dB Min
@200K~1.104MHz	55dB Min	@2KHz~3.4KHz	14 dB Min
Longitudinal Balance @200Hz~3K	50dB Min	Isolation resistance tip/ring	10M Ω Min

Wiring & Dimension Schematic



Head Office & Factory

SHAN-SIA DEVELOPMENT INDUSTRY AREA, HENG-LI TOWN, DONGGUAN CITY, GUANGDONG PROVINCE, CHINA

Tel: +86-769-3791376/7/8/9

Http: www.dgfuxin.com

Postal: 523467

Fax: +86-769-3713728

Fx-BG06B(03/2005)