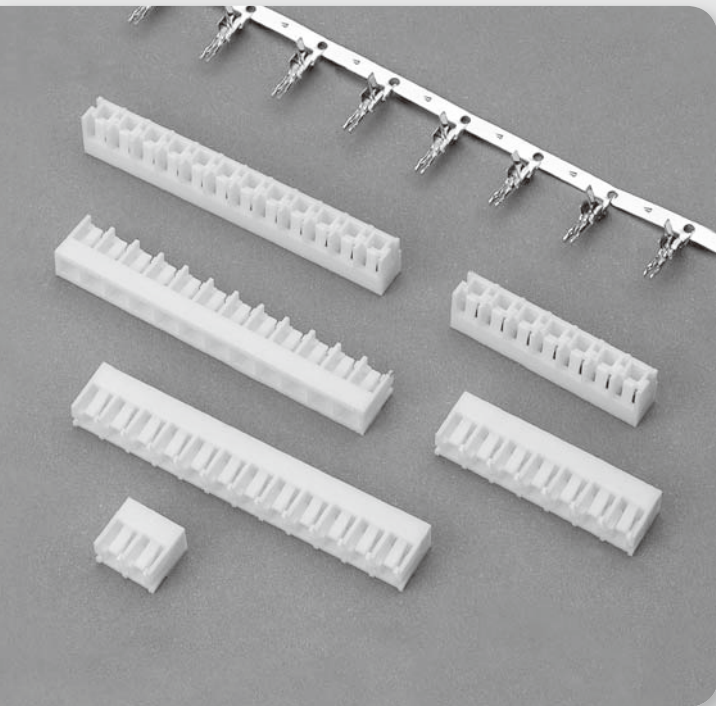


3.96mm (.156") Crimp Style Board-In Connectors



Specifications

- Voltage Rating : 300V AC/DC
- Current Rating : 7A AC/DC
- Withstanding Voltage : 1,500V AC/minute
- Insulation Resistance : 1,000MΩ min.
- Temperature Range : -25°C to + 85°C
- Contact Resistance : 20mΩ max.

Features:

■ HOUSING

Part No. : JS-4008-XX

Poles : 2 - 15

Material : Nylon 66 UL94V-0

Q'ty : 1,000 pcs/Bag

■ TERMINAL

Part No. : JS-4008-TP

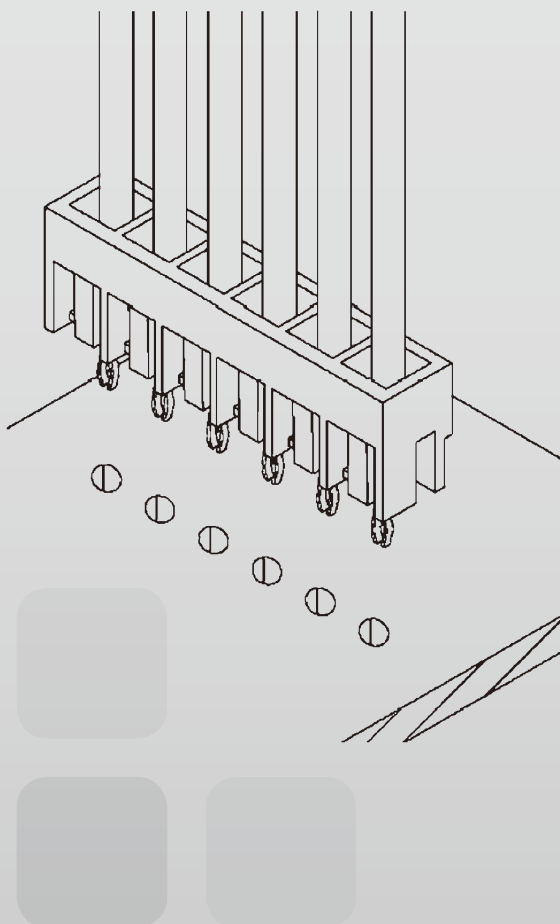
Applicable Wires : AWG# 16 - 22

Material : Brass

Finish : Pre-Stamping/Tin Plated

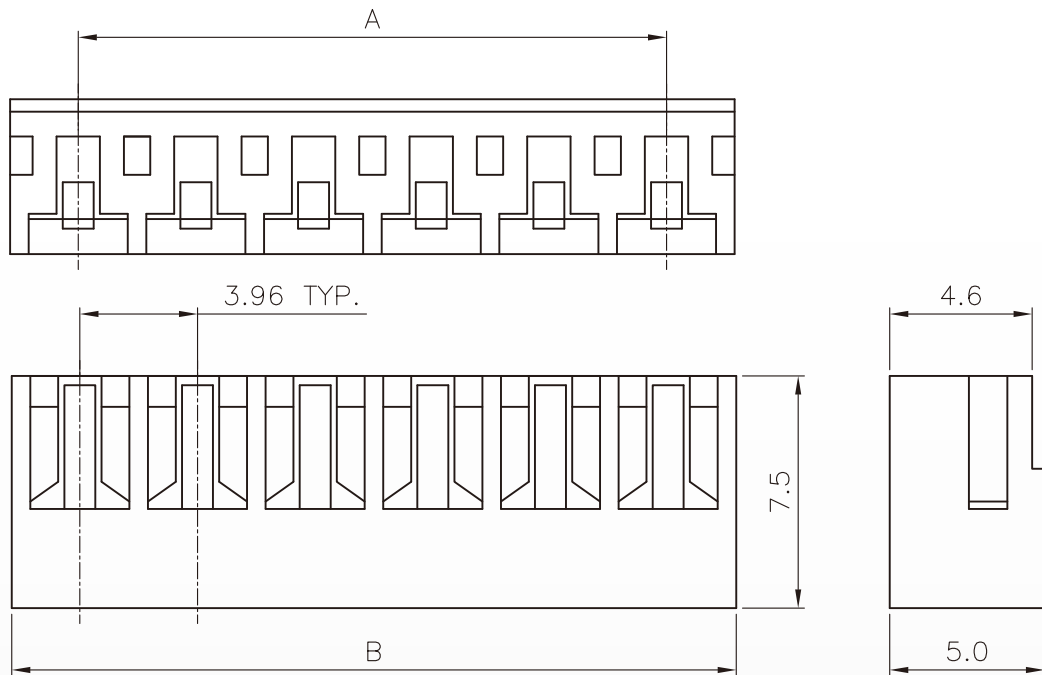
Thickness : 0.25mm

Q'ty : 4,500 pcs/Reel



3.96mm (.156") Crimp Style Board-In Connectors

Housing JS-4008



Poles	Part No.	Dimensions (mm)	
	JS-4008	A	B
2	JS-4008-02	3.96	8.56
3	JS-4008-03	7.92	12.52
4	JS-4008-04	11.88	16.48
5	JS-4008-05	15.84	20.44
6	JS-4008-06	19.80	24.40
7	JS-4008-07	23.76	28.36
8	JS-4008-08	27.72	32.32

Poles	Part No.	Dimensions (mm)	
	JS-4008	A	B
9	JS-4008-09	31.68	36.28
10	JS-4008-10	35.64	40.24
11	JS-4008-11	39.60	44.20
12	JS-4008-12	43.56	48.16
13	JS-4008-13	47.52	52.12
14	JS-4008-14	51.48	56.08
15	JS-4008-15	55.44	60.04

Terminal JS-4008-TP

